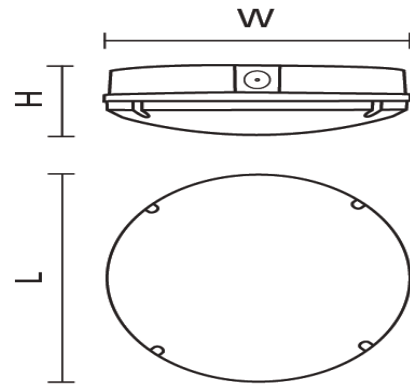


## Amenity

### Hatherton Multi Bulkhead 12W 3CCT - White



• Tough and durable body and polycarbonate diffuser • Wall and ceiling mount • LED lifespan 50,000 hours L70 • Standard, microwave, emergency, dusk to dawn and 3 step dimming options available • IK08 impact rated • Clip-on bezels • 20mm conduit entry



## General Data

<b>Technology</b>	LED
<b>Mounting options</b>	Ceiling Wall
<b>Electrical Connector Type</b>	Push Terminal
<b>Install Options</b>	BESA 20mm knock out
<b>Input Cable</b>	No
<b>Input Electrical Connection</b>	Live   Neutral   Earth
<b>General Application</b>	Residential   Commercial
<b>Operating Temperature Range °C</b>	-20 - +40
<b>Warranty (Years)</b>	5

401580

Technical Specification

## Optical Data

<b>LED Manufacturer / Type</b>	MTC Lighting
<b>Fixture Luminous Flux (Lm)</b>	1320   1386   1371
<b>Luminaire Efficacy @3000K (lm/W)</b>	115
<b>Luminaire Efficacy @4000K (lm/W)</b>	123
<b>Luminaire Efficacy @6000K (lm/W)</b>	119
<b>LOR %</b>	100
<b>Colour Selectable</b>	Yes
<b>Beam Angle°</b>	115
<b>Optics</b>	Symetric
<b>Photobiological Risk Group</b>	RG0

## Light Source Data

<b>Energy Class</b>	E
<b>Lm/W</b>	124
<b>Colour Temperature (K)</b>	3000   4000   6000
<b>Light Colour</b>	Warm Light   Cool White   Daylight
<b>CRI Ra</b>	80

401580

Technical Specification

## Electrical Data

<b>Wattage (W)</b>	12
<b>Total Power Consumption (W)</b>	11.5   11.2   11.5
<b>Mains voltage (V)</b>	220 - 240
<b>Lamp power factor</b>	0.75
<b>Electrical protection</b>	Class I
<b>Driver Output (V)</b>	35-45
<b>Driver Output Current (mA)</b>	250
<b>Control Gear Type CC or CV</b>	Constant Current
<b>SVM</b>	0.02
<b>PstLM</b>	0.01
<b>LED Flicker Rate</b>	0.69
<b>Dimmable</b>	No
<b>Driver Brand</b>	Luminaireux
<b>Inrush Current (A)</b>	<20
<b>Glow Wire Test (°C)</b>	850
<b>Nominal Frequency (Hz)</b>	50/60
<b>Max. Luminaire per 10A C Breaker</b>	56
<b>Max. Luminaire per 13A C Breaker</b>	72
<b>Max. Luminaire per 16A C Breaker</b>	89
<b>Max. Luminaire per 20A C Breaker</b>	111
<b>Max. Luminaire per 10A B Breaker</b>	33
<b>Max. Luminaire per 13A B Breaker</b>	43
<b>Max. Luminaire per 16A B Breaker</b>	53
<b>Max. Luminaire per 20A B Breaker</b>	67

## Lifetime Data

<b>Lifespan L70 B50 @25°C (Hrs)</b>	50000
-------------------------------------	-------

401580

Technical Specification

## Physical Data

<b>Housing colour</b>	White RAL 9003
<b>Body material</b>	ABS
<b>Driver Housing</b>	Polycarbonate
<b>IP Rating</b>	66
<b>IK Rating</b>	8
<b>Diffuser Material</b>	Polycarbonate
<b>Diffuser finish</b>	Frosted
<b>Nominal Product Length (mm)</b>	300
<b>Nominal Product Width (mm)</b>	300
<b>Nominal Product Height (mm)</b>	92
<b>Weight (kg)</b>	0.7

## Standards and Approvals

<b>Manufactured In Accordance To</b>	EN 60598-1
<b>CE Mark</b>	Yes
<b>UKCA Mark</b>	Yes
<b>WEEE Symbol</b>	Yes
<b>Certificate Of Conformity</b>	Available on Request
<b>Accredited Members</b>	LIA, ISO9001

## Product Relations



**401589**  
**Hatherton Clip on Full Bezel Black**



**401588**  
**Hatherton Clip on Full Bezel White**

401580

Technical Specification



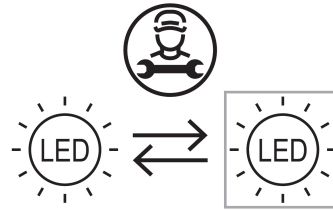
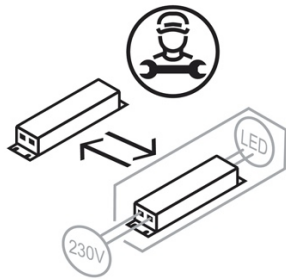
**401592**  
**Hatherton Clip on Eyelid Bezel Black**



**401595**  
**Hatherton Clip on Decorative Bezel Black**



**401598**  
**Hatherton Clip on Grill Bezel Black**

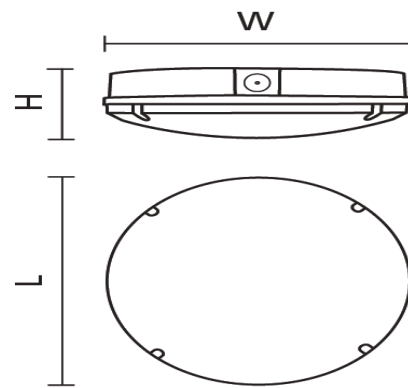


## Amenity

### Hatherton Multi Bulkhead 12W 3CCT Dusk to Dawn - White



• Tough and durable body and polycarbonate diffuser • Wall and ceiling mount • LED lifespan 50,000 hours L70 • Standard, microwave, emergency, dusk to dawn and 3 step dimming options available • IK08 impact rated • Clip-on bezels • 20mm conduit entry



## General Data

Technology	LED
Mounting options	Ceiling Wall
Electrical Connector Type	Push Terminal
Install Options	BESA 20mm knock out
Input Cable	No
Input Electrical Connection	Live   Neutral   Earth
General Application	Residential   Commercial
Operating Temperature Range °C	-20 - +40
Warranty (Years)	5

## Optical Data

<b>LED Manufacturer / Type</b>	MTC Lighting
<b>Fixture Luminous Flux (Lm)</b>	1320   1386   1371
<b>Luminaire Efficacy @3000K (lm/W)</b>	115
<b>Luminaire Efficacy @4000K (lm/W)</b>	123
<b>Luminaire Efficacy @6000K (lm/W)</b>	119
<b>LOR %</b>	100
<b>Colour Selectable</b>	Yes
<b>Beam Angle°</b>	115
<b>Optics</b>	Symetric
<b>Photobiological Risk Group</b>	RG0

## Light Source Data

<b>Energy Class</b>	E
<b>Lm/W</b>	124
<b>Colour Temperature (K)</b>	3000   4000   6000
<b>Light Colour</b>	Warm Light   Cool White   Daylight
<b>CRI Ra</b>	80

## **Electrical Data**

<b>Wattage (W)</b>	12
<b>Total Power Consumption (W)</b>	11.5   11.2   11.5
<b>Mains voltage (V)</b>	220 - 240
<b>Lamp power factor</b>	0.75
<b>Electrical protection</b>	Class I
<b>Driver Output (V)</b>	35-45
<b>Driver Output Current (mA)</b>	250
<b>Control Gear Type CC or CV</b>	Constant Current
<b>SVM</b>	0.02
<b>PstLM</b>	0.01
<b>LED Flicker Rate</b>	0.69
<b>Dimmable</b>	No
<b>Driver Brand</b>	Luminaireux
<b>Inrush Current (A)</b>	<20
<b>Glow Wire Test (°C)</b>	850
<b>Nominal Frequency (Hz)</b>	50/60
<b>Max. Luminaire per 10A C Breaker</b>	56
<b>Max. Luminaire per 13A C Breaker</b>	72
<b>Max. Luminaire per 16A C Breaker</b>	89
<b>Max. Luminaire per 20A C Breaker</b>	111
<b>Max. Luminaire per 10A B Breaker</b>	33
<b>Max. Luminaire per 13A B Breaker</b>	43
<b>Max. Luminaire per 16A B Breaker</b>	53
<b>Max. Luminaire per 20A B Breaker</b>	67

## **Lifetime Data**

<b>Lifespan L70 B50 @25°C (Hrs)</b>	50000
-------------------------------------	-------



401580-DD

Technical Specification

## Sensor Data

<b>Sensor Technology</b>	Photocell
<b>Sensor Type</b>	ON/OFF
<b>Daylight Threshold</b>	30Lux

## Physical Data

<b>Housing colour</b>	White RAL 9003
<b>Body material</b>	ABS
<b>Driver Housing</b>	Polycarbonate
<b>IP Rating</b>	66
<b>IK Rating</b>	8
<b>Diffuser Material</b>	Polycarbonate
<b>Diffuser finish</b>	Frosted
<b>Nominal Product Length (mm)</b>	300
<b>Nominal Product Width (mm)</b>	300
<b>Nominal Product Height (mm)</b>	92
<b>Weight (kg)</b>	0.7

## Standards and Approvals

<b>Manufactured In Accordance To</b>	EN 60598-1
<b>CE Mark</b>	Yes
<b>UKCA Mark</b>	Yes
<b>WEEE Symbol</b>	Yes
<b>Certificate Of Conformity</b>	Available on Request
<b>Accredited Members</b>	LIA, ISO9001

## Product Relations



**401589**  
**Hatherton Clip on Full Bezel Black**



**401588**  
**Hatherton Clip on Full Bezel White**



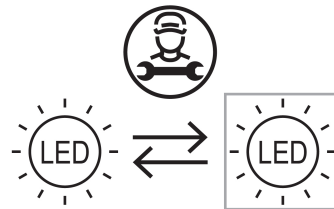
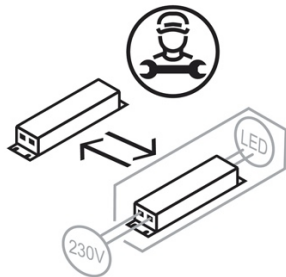
**401592**  
**Hatherton Clip on Eyelid Bezel Black**



**401595**  
**Hatherton Clip on Decorative Bezel Black**



**401598**  
**Hatherton Clip on Grill Bezel Black**

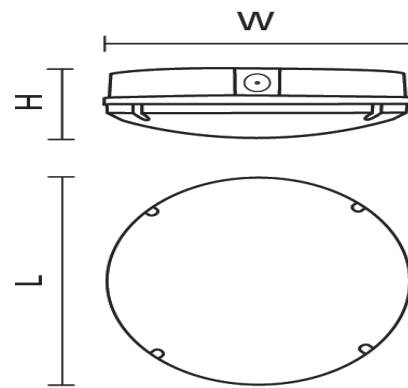


## Amenity

### Hatherton Multi Bulkhead 12W 3CCT Emergency Dusk to Dawn - White



• Tough and durable body and polycarbonate diffuser • Wall and ceiling mount • LED lifespan 50,000 hours L70 • Standard, microwave, emergency, dusk to dawn and 3 step dimming options available • IK08 impact rated • Clip-on bezels • 20mm conduit entry



## General Data

Technology	LED
Mounting options	Ceiling Wall
Electrical Connector Type	Push Terminal
Install Options	BESA 20mm knock out
Input Cable	No
Input Electrical Connection	Live   Neutral   Earth   P Live
General Application	Residential   Commercial
Operating Temperature Range °C	0 + 30
Warranty (Years)	5

## Optical Data

<b>LED Manufacturer / Type</b>	MTC Lighting
<b>Fixture Luminous Flux (Lm)</b>	1320   1386   1371
<b>Luminaire Efficacy @3000K (lm/W)</b>	115
<b>Luminaire Efficacy @4000K (lm/W)</b>	123
<b>Luminaire Efficacy @6000K (lm/W)</b>	119
<b>LOR %</b>	100
<b>Colour Selectable</b>	Yes
<b>Beam Angle°</b>	115
<b>Optics</b>	Symetric
<b>Photobiological Risk Group</b>	RG0

## Light Source Data

<b>Energy Class</b>	E
<b>Lm/W</b>	124
<b>Colour Temperature (K)</b>	3000   4000   6000
<b>Light Colour</b>	Warm Light   Cool White   Daylight
<b>CRI Ra</b>	80

## Electrical Data

<b>Wattage (W)</b>	12
<b>Total Power Consumption (W)</b>	11.5   11.2   11.5
<b>Mains voltage (V)</b>	220 - 240
<b>Lamp power factor</b>	0.75
<b>Electrical protection</b>	Class I
<b>Driver Output (V)</b>	35-45
<b>Driver Output Current (mA)</b>	250
<b>Control Gear Type CC or CV</b>	Constant Current
<b>SVM</b>	0.02
<b>PstLM</b>	0.01
<b>LED Flicker Rate</b>	0.69
<b>Dimmable</b>	No
<b>Driver Brand</b>	Luminaireux
<b>Inrush Current (A)</b>	<20
<b>Glow Wire Test (°C)</b>	850
<b>Nominal Frequency (Hz)</b>	50/60
<b>Max. Luminaire per 10A C Breaker</b>	56
<b>Max. Luminaire per 13A C Breaker</b>	72
<b>Max. Luminaire per 16A C Breaker</b>	89
<b>Max. Luminaire per 20A C Breaker</b>	111
<b>Max. Luminaire per 10A B Breaker</b>	33
<b>Max. Luminaire per 13A B Breaker</b>	43
<b>Max. Luminaire per 16A B Breaker</b>	53
<b>Max. Luminaire per 20A B Breaker</b>	67

## Lifetime Data

<b>Lifespan L70 B50 @25°C (Hrs)</b>	50000
-------------------------------------	-------

## Emergency Data

<b>Battery Type</b>	LiFeP04
<b>Battery Capacity (mAh)</b>	1600mAh
<b>Battery Warranty (Years)</b>	2
<b>Recharge Time (Hours)</b>	24 Hours
<b>Emergency Type</b>	Maintained
<b>Test Procedure</b>	Manual
<b>Emergency Duration (Hours)</b>	3
<b>Emergency Output</b>	160

## Sensor Data

<b>Sensor Technology</b>	Photocell
<b>Sensor Type</b>	ON/OFF
<b>Daylight Threshold</b>	30Lux

## Physical Data

<b>Housing colour</b>	White RAL 9003
<b>Body material</b>	ABS
<b>Driver Housing</b>	Polycarbonate
<b>IP Rating</b>	66
<b>IK Rating</b>	8
<b>Diffuser Material</b>	Polycarbonate
<b>Diffuser finish</b>	Frosted
<b>Nominal Product Length (mm)</b>	300
<b>Nominal Product Width (mm)</b>	300
<b>Nominal Product Height (mm)</b>	92
<b>Weight (kg)</b>	0.8

401580-M3-DD

Technical Specification

## Standards and Approvals

<b>Manufactured In Accordance To</b>	EN 60598-1 EN60598-2-22
<b>CE Mark</b>	Yes
<b>UKCA Mark</b>	Yes
<b>WEEE Symbol</b>	Yes
<b>Certificate Of Conformity</b>	Available on Request
<b>Accredited Members</b>	LIA, ISO9001

## Product Relations



**401589**  
Hatherton Clip on Full Bezel Black



**401588**  
Hatherton Clip on Full Bezel White



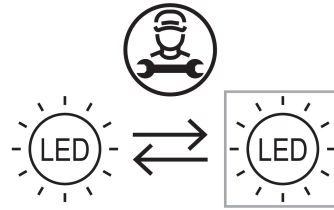
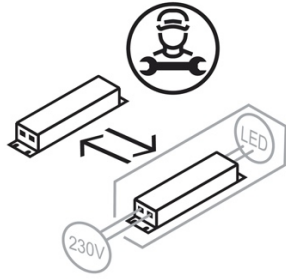
**401592**  
Hatherton Clip on Eyelid Bezel Black



**401595**  
Hatherton Clip on Decorative Bezel Black



**401598**  
Hatherton Clip on Grill Bezel Black



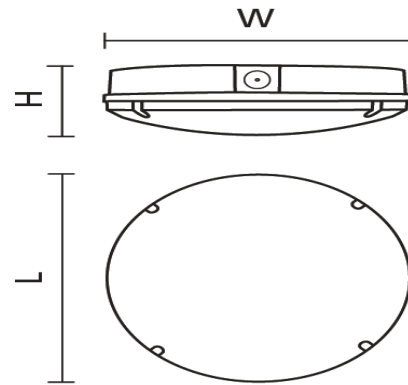


## Amenity

### Hatherton Multi Bulkhead 12W 3CCT Emergency - White



• Tough and durable body and polycarbonate diffuser • Wall and ceiling mount • LED lifespan 50,000 hours L70 • Standard, microwave, emergency, dusk to dawn and 3 step dimming options available • IK08 impact rated • Clip-on bezels • 20mm conduit entry



## General Data

Technology	LED
Mounting options	Ceiling Wall
Electrical Connector Type	Push Terminal
Install Options	BESA 20mm knock out
Input Cable	No
Input Electrical Connection	Live   Neutral   Earth   P Live
General Application	Residential   Commercial
Operating Temperature Range °C	0 + 30
Warranty (Years)	5

401580-M3

Technical Specification

## Optical Data

LED Manufacturer / Type	MTC Lighting
Fixture Luminous Flux (Lm)	1320   1386   1371
Luminaire Efficacy @3000K (lm/W)	115
Luminaire Efficacy @4000K (lm/W)	123
Luminaire Efficacy @6000K (lm/W)	119
LOR %	100
Colour Selectable	Yes
Beam Angle°	115
Optics	Symetric
Photobiological Risk Group	RG0

## Light Source Data

Energy Class	E
Lm/W	124
Colour Temperature (K)	3000   4000   6000
Light Colour	Warm Light   Cool White   Daylight
CRI Ra	80

## Electrical Data

<b>Wattage (W)</b>	12
<b>Total Power Consumption (W)</b>	11.5   11.2   11.5
<b>Mains voltage (V)</b>	220 - 240
<b>Lamp power factor</b>	0.75
<b>Electrical protection</b>	Class I
<b>Driver Output (V)</b>	35-45
<b>Driver Output Current (mA)</b>	250
<b>Control Gear Type CC or CV</b>	Constant Current
<b>SVM</b>	0.02
<b>PstLM</b>	0.01
<b>LED Flicker Rate</b>	0.69
<b>Dimmable</b>	No
<b>Driver Brand</b>	Luminaireux
<b>Inrush Current (A)</b>	<20
<b>Glow Wire Test (°C)</b>	850
<b>Nominal Frequency (Hz)</b>	50/60
<b>Max. Luminaire per 10A C Breaker</b>	56
<b>Max. Luminaire per 13A C Breaker</b>	72
<b>Max. Luminaire per 16A C Breaker</b>	89
<b>Max. Luminaire per 20A C Breaker</b>	111
<b>Max. Luminaire per 10A B Breaker</b>	33
<b>Max. Luminaire per 13A B Breaker</b>	43
<b>Max. Luminaire per 16A B Breaker</b>	53
<b>Max. Luminaire per 20A B Breaker</b>	67

## Lifetime Data

<b>Lifespan L70 B50 @25°C (Hrs)</b>	50000
-------------------------------------	-------

## Emergency Data

<b>Battery Type</b>	LiFeP04
<b>Battery Capacity (mAh)</b>	1600mAh
<b>Battery Warranty (Years)</b>	2
<b>Recharge Time (Hours)</b>	24 Hours
<b>Emergency Type</b>	Maintained
<b>Test Procedure</b>	Manual
<b>Emergency Duration (Hours)</b>	3
<b>Emergency Output</b>	160

## Physical Data

<b>Housing colour</b>	White RAL 9003
<b>Body material</b>	ABS
<b>Driver Housing</b>	Polycarbonate
<b>IP Rating</b>	66
<b>IK Rating</b>	8
<b>Diffuser Material</b>	Polycarbonate
<b>Diffuser finish</b>	Frosted
<b>Nominal Product Length (mm)</b>	300
<b>Nominal Product Width (mm)</b>	300
<b>Nominal Product Height (mm)</b>	92
<b>Weight (kg)</b>	0.8

## Standards and Approvals

<b>Manufactured In Accordance To</b>	EN 60598-1 EN60598-2-22
<b>CE Mark</b>	Yes
<b>UKCA Mark</b>	Yes
<b>WEEE Symbol</b>	Yes
<b>Certificate Of Conformity</b>	Available on Request
<b>Accredited Members</b>	LIA, ISO9001

Product Relations



**401589**  
**Hatherton Clip on Full Bezel Black**



**401588**  
**Hatherton Clip on Full Bezel White**



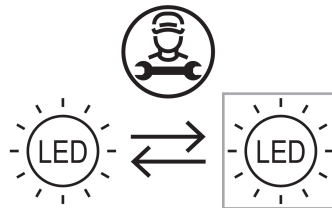
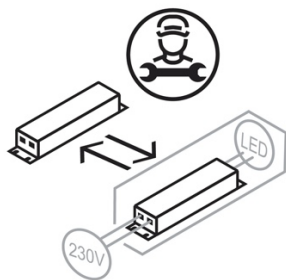
**401592**  
**Hatherton Clip on Eyelid Bezel Black**



**401595**  
**Hatherton Clip on Decorative Bezel Black**



**401598**  
**Hatherton Clip on Grill Bezel Black**

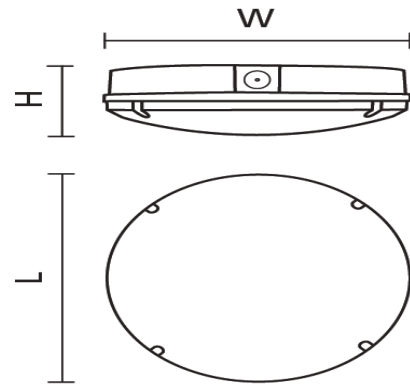


## Amenity

### Hatherton Multi Bulkhead 12W 3CCT Emergency Microwave - White



• Tough and durable body and polycarbonate diffuser • Wall and ceiling mount • LED lifespan 50,000 hours L70 • Standard, microwave, emergency, dusk to dawn and 3 step dimming options available • IK08 impact rated • Clip-on bezels • 20mm conduit entry



## General Data

<b>Technology</b>	LED
<b>Mounting options</b>	Ceiling Wall
<b>Electrical Connector Type</b>	Push Terminal
<b>Install Options</b>	BESA 20mm knock out
<b>Input Cable</b>	No
<b>Input Electrical Connection</b>	Live   Neutral   Earth   P Live
<b>General Application</b>	Residential   Commercial
<b>Operating Temperature Range °C</b>	0 + 30
<b>Warranty (Years)</b>	5

401580-M3-MW

Technical Specification

## Optical Data

LED Manufacturer / Type	MTC Lighting
Fixture Luminous Flux (Lm)	1320   1386   1371
Luminaire Efficacy @3000K (lm/W)	115
Luminaire Efficacy @4000K (lm/W)	123
Luminaire Efficacy @6000K (lm/W)	119
LOR %	100
Colour Selectable	Yes
Beam Angle°	115
Optics	Symetric
Photobiological Risk Group	RG0

## Light Source Data

Energy Class	E
Lm/W	124
Colour Temperature (K)	3000   4000   6000
Light Colour	Warm Light   Cool White   Daylight
CRI Ra	80

## Electrical Data

<b>Wattage (W)</b>	12
<b>Total Power Consumption (W)</b>	11.5   11.2   11.5
<b>Mains voltage (V)</b>	220 - 240
<b>Lamp power factor</b>	0.75
<b>Electrical protection</b>	Class I
<b>Driver Output (V)</b>	35-45
<b>Driver Output Current (mA)</b>	250
<b>Control Gear Type CC or CV</b>	Constant Current
<b>SVM</b>	0.02
<b>PstLM</b>	0.01
<b>LED Flicker Rate</b>	0.69
<b>Dimmable</b>	No
<b>Driver Brand</b>	Luminaireux
<b>Inrush Current (A)</b>	<20
<b>Glow Wire Test (°C)</b>	850
<b>Nominal Frequency (Hz)</b>	50/60
<b>Max. Luminaire per 10A C Breaker</b>	56
<b>Max. Luminaire per 13A C Breaker</b>	72
<b>Max. Luminaire per 16A C Breaker</b>	89
<b>Max. Luminaire per 20A C Breaker</b>	111
<b>Max. Luminaire per 10A B Breaker</b>	33
<b>Max. Luminaire per 13A B Breaker</b>	43
<b>Max. Luminaire per 16A B Breaker</b>	53
<b>Max. Luminaire per 20A B Breaker</b>	67

## Lifetime Data

<b>Lifespan L70 B50 @25°C (Hrs)</b>	50000
-------------------------------------	-------



### Emergency Data

<b>Battery Type</b>	LiFeP04
<b>Battery Capacity (mAh)</b>	1600mAh
<b>Battery Warranty (Years)</b>	2
<b>Recharge Time (Hours)</b>	24 Hours
<b>Emergency Type</b>	Maintained
<b>Test Procedure</b>	Manual
<b>Emergency Duration (Hours)</b>	3
<b>Emergency Output</b>	160

### Sensor Data

<b>Sensor Technology</b>	Microwave
<b>Sensor Type</b>	ON/OFF
<b>Max. Mounting Height (M)</b>	6
<b>Hold Time</b>	5s 30s 90s 5min 20min 30min
<b>Detection area (m)</b>	4-6
<b>Daylight Threshold</b>	5Lux 15Lux   30Lux   Disable
<b>Detection radius (°)</b>	150 (Wall mounted)/360 (Ceiling mounted)

401580-M3-MW

Technical Specification

## Physical Data

<b>Housing colour</b>	White RAL 9003
<b>Body material</b>	ABS
<b>Driver Housing</b>	Polycarbonate
<b>IP Rating</b>	66
<b>IK Rating</b>	8
<b>Diffuser Material</b>	Polycarbonate
<b>Diffuser finish</b>	Frosted
<b>Nominal Product Length (mm)</b>	300
<b>Nominal Product Width (mm)</b>	300
<b>Nominal Product Height (mm)</b>	92
<b>Weight (kg)</b>	0.8

## Standards and Approvals

<b>Manufactured In Accordance To</b>	EN 60598-1 EN60598-2-22
<b>CE Mark</b>	Yes
<b>UKCA Mark</b>	Yes
<b>WEEE Symbol</b>	Yes
<b>Certificate Of Conformity</b>	Available on Request
<b>Accredited Members</b>	LIA, ISO9001

## Product Relations



**401589**  
**Hatherton Clip on Full Bezel Black**



**401588**  
**Hatherton Clip on Full Bezel White**



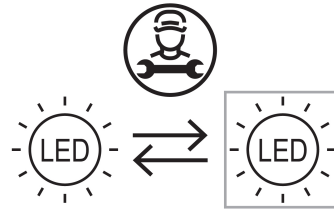
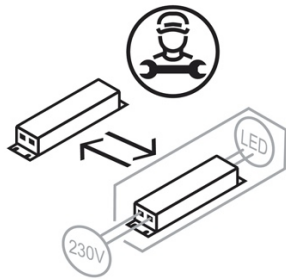
**401592**  
**Hatherton Clip on Eyelid Bezel Black**



**401595**  
**Hatherton Clip on Decorative Bezel Black**



**401598**  
**Hatherton Clip on Grill Bezel Black**

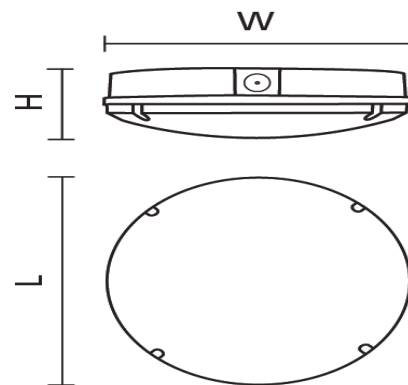


## Amenity

### Hatherton Multi Bulkhead 12W 3CCT Emergency Step Dim - White



• Tough and durable body and polycarbonate diffuser • Wall and ceiling mount • LED lifespan 50,000 hours L70 • Standard, microwave, emergency, dusk to dawn and 3 step dimming options available • IK08 impact rated • Clip-on bezels • 20mm conduit entry



## General Data

Technology	LED
Mounting options	Ceiling Wall
Electrical Connector Type	Push Terminal
Install Options	BESA 20mm knock out
Input Cable	No
Input Electrical Connection	Live   Neutral   Earth   P Live
General Application	Residential   Commercial
Operating Temperature Range °C	0 + 30
Warranty (Years)	5

## Optical Data

<b>LED Manufacturer / Type</b>	MTC Lighting
<b>Fixture Luminous Flux (Lm)</b>	1320   1386   1371
<b>Luminaire Efficacy @3000K (lm/W)</b>	115
<b>Luminaire Efficacy @4000K (lm/W)</b>	123
<b>Luminaire Efficacy @6000K (lm/W)</b>	119
<b>LOR %</b>	100
<b>Colour Selectable</b>	Yes
<b>Beam Angle°</b>	115
<b>Optics</b>	Symetric
<b>Photobiological Risk Group</b>	RG0

## Light Source Data

<b>Energy Class</b>	E
<b>Lm/W</b>	124
<b>Colour Temperature (K)</b>	3000   4000   6000
<b>Light Colour</b>	Warm Light   Cool White   Daylight
<b>CRI Ra</b>	80

## Electrical Data

<b>Wattage (W)</b>	12
<b>Total Power Consumption (W)</b>	11.5   11.2   11.5
<b>Mains voltage (V)</b>	220 - 240
<b>Lamp power factor</b>	0.75
<b>Electrical protection</b>	Class I
<b>Driver Output (V)</b>	35-45
<b>Driver Output Current (mA)</b>	250
<b>Control Gear Type CC or CV</b>	Constant Current
<b>SVM</b>	0.02
<b>PstLM</b>	0.01
<b>LED Flicker Rate</b>	0.69
<b>Dimmable</b>	Yes
<b>Dimmable Type</b>	Step Dim
<b>Driver Brand</b>	Luminaireux
<b>Inrush Current (A)</b>	<20
<b>Glow Wire Test (°C)</b>	850
<b>Nominal Frequency (Hz)</b>	50/60
<b>Max. Luminaire per 10A C Breaker</b>	56
<b>Max. Luminaire per 13A C Breaker</b>	72
<b>Max. Luminaire per 16A C Breaker</b>	89
<b>Max. Luminaire per 20A C Breaker</b>	111
<b>Max. Luminaire per 10A B Breaker</b>	33
<b>Max. Luminaire per 13A B Breaker</b>	43
<b>Max. Luminaire per 16A B Breaker</b>	53
<b>Max. Luminaire per 20A B Breaker</b>	67

## Lifetime Data

<b>Lifespan L70 B50 @25°C (Hrs)</b>	50000
-------------------------------------	-------

## Emergency Data

<b>Battery Type</b>	LiFeP04
<b>Battery Capacity (mAh)</b>	1600mAh
<b>Battery Warranty (Years)</b>	2
<b>Recharge Time (Hours)</b>	24 Hours
<b>Emergency Type</b>	Maintained
<b>Test Procedure</b>	Manual
<b>Emergency Duration (Hours)</b>	3
<b>Emergency Output</b>	160

## Sensor Data

<b>Sensor Technology</b>	Step Dim
<b>Sensor Type</b>	Step Dim
<b>Max. Mounting Height (M)</b>	6
<b>Hold Time</b>	5s 90s 3min 10min
<b>Detection area (m)</b>	4-6
<b>Daylight Threshold</b>	5Lux 15Lux   30Lux   Disable
<b>Detection radius (°)</b>	150 (Wall mounted)/360 (Ceiling mounted)

401580-M3-SD

Technical Specification

## Physical Data

<b>Housing colour</b>	White RAL 9003
<b>Body material</b>	ABS
<b>Driver Housing</b>	Polycarbonate
<b>IP Rating</b>	66
<b>IK Rating</b>	8
<b>Diffuser Material</b>	Polycarbonate
<b>Diffuser finish</b>	Frosted
<b>Nominal Product Length (mm)</b>	300
<b>Nominal Product Width (mm)</b>	300
<b>Nominal Product Height (mm)</b>	92
<b>Weight (kg)</b>	0.8

## Standards and Approvals

<b>Manufactured In Accordance To</b>	EN 60598-1 EN60598-2-22
<b>CE Mark</b>	Yes
<b>UKCA Mark</b>	Yes
<b>WEEE Symbol</b>	Yes
<b>Certificate Of Conformity</b>	Available on Request
<b>Accredited Members</b>	LIA, ISO9001

## Product Relations



**401589**  
**Hatherton Clip on Full Bezel Black**



**401588**  
**Hatherton Clip on Full Bezel White**





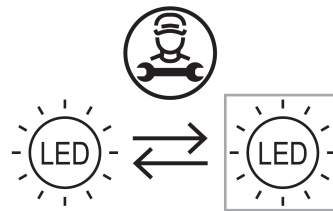
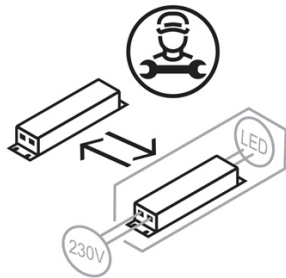
**401592**  
**Hatherton Clip on Eyelid Bezel Black**



**401595**  
**Hatherton Clip on Decorative Bezel Black**



**401598**  
**Hatherton Clip on Grill Bezel Black**

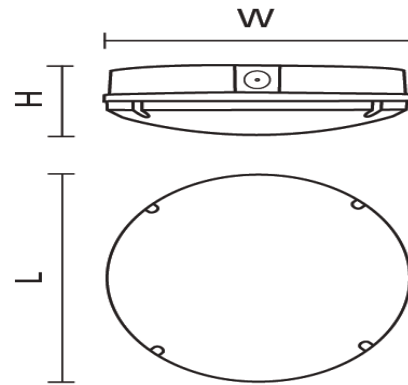


## Amenity

### Hatherton Multi Bulkhead 12W 3CCT Microwave - White



• Tough and durable body and polycarbonate diffuser • Wall and ceiling mount • LED lifespan 50,000 hours L70 • Standard, microwave, emergency, dusk to dawn and 3 step dimming options available • IK08 impact rated • Clip-on bezels • 20mm conduit entry



## General Data

<b>Technology</b>	LED
<b>Mounting options</b>	Ceiling Wall
<b>Electrical Connector Type</b>	Push Terminal
<b>Install Options</b>	BESA 20mm knock out
<b>Input Cable</b>	No
<b>Input Electrical Connection</b>	Live   Neutral   Earth
<b>General Application</b>	Residential   Commercial
<b>Operating Temperature Range °C</b>	-20 - +40
<b>Warranty (Years)</b>	5

## Optical Data

<b>LED Manufacturer / Type</b>	MTC Lighting
<b>Fixture Luminous Flux (Lm)</b>	1320   1386   1371
<b>Luminaire Efficacy @3000K (lm/W)</b>	115
<b>Luminaire Efficacy @4000K (lm/W)</b>	123
<b>Luminaire Efficacy @6000K (lm/W)</b>	119
<b>LOR %</b>	100
<b>Colour Selectable</b>	Yes
<b>Beam Angle°</b>	115
<b>Optics</b>	Symetric
<b>Photobiological Risk Group</b>	RG0

## Light Source Data

<b>Energy Class</b>	E
<b>Lm/W</b>	124
<b>Colour Temperature (K)</b>	3000   4000   6000
<b>Light Colour</b>	Warm Light   Cool White   Daylight
<b>CRI Ra</b>	80

## Electrical Data

<b>Wattage (W)</b>	12
<b>Total Power Consumption (W)</b>	11.5   11.2   11.5
<b>Mains voltage (V)</b>	220 - 240
<b>Lamp power factor</b>	0.75
<b>Electrical protection</b>	Class I
<b>Driver Output (V)</b>	35-45
<b>Driver Output Current (mA)</b>	250
<b>Control Gear Type CC or CV</b>	Constant Current
<b>SVM</b>	0.02
<b>PstLM</b>	0.01
<b>LED Flicker Rate</b>	0.69
<b>Dimmable</b>	No
<b>Driver Brand</b>	Luminaireux
<b>Inrush Current (A)</b>	<20
<b>Glow Wire Test (°C)</b>	850
<b>Nominal Frequency (Hz)</b>	50/60
<b>Max. Luminaire per 10A C Breaker</b>	56
<b>Max. Luminaire per 13A C Breaker</b>	72
<b>Max. Luminaire per 16A C Breaker</b>	89
<b>Max. Luminaire per 20A C Breaker</b>	111
<b>Max. Luminaire per 10A B Breaker</b>	33
<b>Max. Luminaire per 13A B Breaker</b>	43
<b>Max. Luminaire per 16A B Breaker</b>	53
<b>Max. Luminaire per 20A B Breaker</b>	67

## Lifetime Data

<b>Lifespan L70 B50 @25°C (Hrs)</b>	50000
-------------------------------------	-------

401580-MW

Technical Specification

## Sensor Data

<b>Sensor Technology</b>	Microwave
<b>Sensor Type</b>	ON/OFF
<b>Max. Mounting Height (M)</b>	6
<b>Hold Time</b>	5s 30s 90s 5min 20min 30min
<b>Detection area (m)</b>	4-6
<b>Daylight Threshold</b>	5Lux 15Lux   30Lux   Disable
<b>Detection radius (°)</b>	150 (Wall mounted)/360 (Ceiling mounted)

## Physical Data

<b>Housing colour</b>	White RAL 9003
<b>Body material</b>	ABS
<b>Driver Housing</b>	Polycarbonate
<b>IP Rating</b>	66
<b>IK Rating</b>	8
<b>Diffuser Material</b>	Polycarbonate
<b>Diffuser finish</b>	Frosted
<b>Nominal Product Length (mm)</b>	300
<b>Nominal Product Width (mm)</b>	300
<b>Nominal Product Height (mm)</b>	92
<b>Weight (kg)</b>	0.7

## Standards and Approvals

<b>Manufactured In Accordance To</b>	EN 60598-1
<b>CE Mark</b>	Yes
<b>UKCA Mark</b>	Yes
<b>WEEE Symbol</b>	Yes
<b>Certificate Of Conformity</b>	Available on Request
<b>Accredited Members</b>	LIA, ISO9001

## Product Relations



**401589**  
Hatherton Clip on Full Bezel Black



**401588**  
Hatherton Clip on Full Bezel White



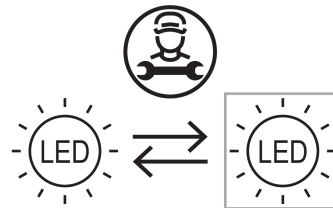
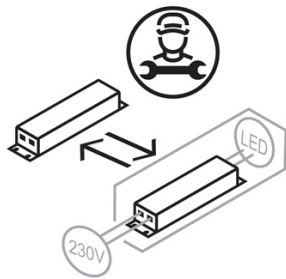
**401592**  
Hatherton Clip on Eyelid Bezel Black



**401595**  
Hatherton Clip on Decorative Bezel Black



**401598**  
Hatherton Clip on Grill Bezel Black

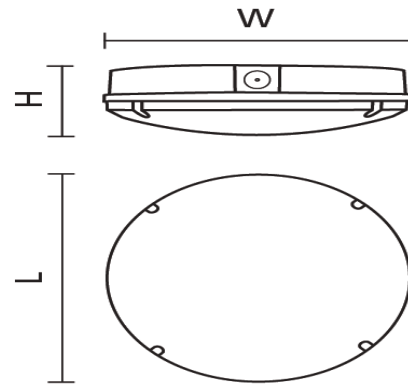


## Amenity

### Hatherton Multi Bulkhead 12W 3CCT Step Dim - White



• Tough and durable body and polycarbonate diffuser • Wall and ceiling mount • LED lifespan 50,000 hours L70 • Standard, microwave, emergency, dusk to dawn and 3 step dimming options available • IK08 impact rated • Clip-on bezels • 20mm conduit entry



## General Data

<b>Technology</b>	LED
<b>Mounting options</b>	Ceiling Wall
<b>Electrical Connector Type</b>	Push Terminal
<b>Install Options</b>	BESA 20mm knock out
<b>Input Cable</b>	No
<b>Input Electrical Connection</b>	Live   Neutral   Earth
<b>General Application</b>	Residential   Commercial
<b>Operating Temperature Range °C</b>	-20 - +40
<b>Warranty (Years)</b>	5

## Optical Data

<b>LED Manufacturer / Type</b>	MTC Lighting
<b>Fixture Luminous Flux (Lm)</b>	1320   1386   1371
<b>Luminaire Efficacy @3000K (lm/W)</b>	115
<b>Luminaire Efficacy @4000K (lm/W)</b>	123
<b>Luminaire Efficacy @6000K (lm/W)</b>	119
<b>LOR %</b>	100
<b>Colour Selectable</b>	Yes
<b>Beam Angle°</b>	115
<b>Optics</b>	Symetric
<b>Photobiological Risk Group</b>	RG0

## Light Source Data

<b>Energy Class</b>	E
<b>Lm/W</b>	124
<b>Colour Temperature (K)</b>	3000   4000   6000
<b>Light Colour</b>	Warm Light   Cool White   Daylight
<b>CRI Ra</b>	80



## Electrical Data

<b>Wattage (W)</b>	12
<b>Total Power Consumption (W)</b>	11.5   11.2   11.5
<b>Mains voltage (V)</b>	220 - 240
<b>Lamp power factor</b>	0.75
<b>Electrical protection</b>	Class I
<b>Driver Output (V)</b>	35-45
<b>Driver Output Current (mA)</b>	250
<b>Control Gear Type CC or CV</b>	Constant Current
<b>SVM</b>	0.02
<b>PstLM</b>	0.01
<b>LED Flicker Rate</b>	0.69
<b>Dimmable</b>	Yes
<b>Dimmable Type</b>	Step Dim
<b>Driver Brand</b>	Luminaireux
<b>Inrush Current (A)</b>	<20
<b>Glow Wire Test (°C)</b>	850
<b>Nominal Frequency (Hz)</b>	50/60
<b>Max. Luminaire per 10A C Breaker</b>	56
<b>Max. Luminaire per 13A C Breaker</b>	72
<b>Max. Luminaire per 16A C Breaker</b>	89
<b>Max. Luminaire per 20A C Breaker</b>	111
<b>Max. Luminaire per 10A B Breaker</b>	33
<b>Max. Luminaire per 13A B Breaker</b>	43
<b>Max. Luminaire per 16A B Breaker</b>	53
<b>Max. Luminaire per 20A B Breaker</b>	67

## Lifetime Data

<b>Lifespan L70 B50 @25°C (Hrs)</b>	50000
-------------------------------------	-------

## Sensor Data

<b>Sensor Technology</b>	Step Dim
<b>Sensor Type</b>	Step Dim
<b>Max. Mounting Height (M)</b>	6
<b>Hold Time</b>	5s 90s 3min 10min
<b>Detection area (m)</b>	4-6
<b>Daylight Threshold</b>	5Lux 15Lux   30Lux   Disable
<b>Detection radius (°)</b>	150 (Wall mounted)/360 (Ceiling mounted)

## Physical Data

<b>Housing colour</b>	White RAL 9003
<b>Body material</b>	ABS
<b>Driver Housing</b>	Polycarbonate
<b>IP Rating</b>	66
<b>IK Rating</b>	8
<b>Diffuser Material</b>	Polycarbonate
<b>Diffuser finish</b>	Frosted
<b>Nominal Product Length (mm)</b>	300
<b>Nominal Product Width (mm)</b>	300
<b>Nominal Product Height (mm)</b>	92
<b>Weight (kg)</b>	0.7

## Standards and Approvals

<b>Manufactured In Accordance To</b>	EN 60598-1
<b>CE Mark</b>	Yes
<b>UKCA Mark</b>	Yes
<b>WEEE Symbol</b>	Yes
<b>Certificate Of Conformity</b>	Available on Request
<b>Accredited Members</b>	LIA, ISO9001

## Product Relations



**401589**  
**Hatherton Clip on Full Bezel Black**



**401588**  
**Hatherton Clip on Full Bezel White**



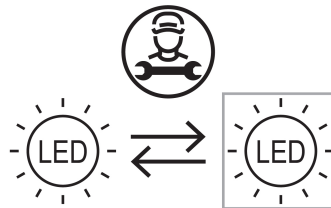
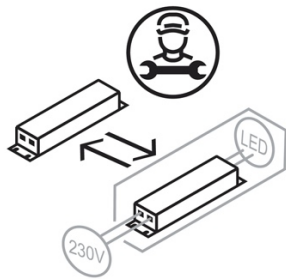
**401592**  
**Hatherton Clip on Eyelid Bezel Black**



**401595**  
**Hatherton Clip on Decorative Bezel Black**



**401598**  
**Hatherton Clip on Grill Bezel Black**

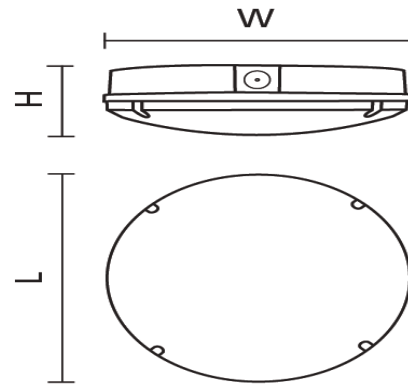


## Amenity

### Hatherton Multi Bulkhead 16W 3CCT - White



• Tough and durable body and polycarbonate diffuser • Wall and ceiling mount • LED lifespan 50,000 hours L70 • Standard, microwave, emergency, dusk to dawn and 3 step dimming options available • IK08 impact rated • Clip-on bezels • 20mm conduit entry



## General Data

<b>Technology</b>	LED
<b>Mounting options</b>	Ceiling Wall
<b>Electrical Connector Type</b>	Push Terminal
<b>Install Options</b>	BESA 20mm knock out
<b>Input Cable</b>	No
<b>Input Electrical Connection</b>	Live   Neutral   Earth
<b>General Application</b>	Residential   Commercial
<b>Operating Temperature Range °C</b>	-20 - +40
<b>Warranty (Years)</b>	5

401581

Technical Specification

## Optical Data

<b>LED Manufacturer / Type</b>	MTC Lighting
<b>Fixture Luminous Flux (Lm)</b>	1727   1829   1807
<b>Luminaire Efficacy @3000K (lm/W)</b>	116
<b>Luminaire Efficacy @4000K (lm/W)</b>	128
<b>Luminaire Efficacy @6000K (lm/W)</b>	121
<b>LOR %</b>	100
<b>Colour Selectable</b>	Yes
<b>Beam Angle°</b>	115
<b>Optics</b>	Symetric
<b>Photobiological Risk Group</b>	RG0

## Light Source Data

<b>Energy Class</b>	E
<b>Lm/W</b>	128
<b>Colour Temperature (K)</b>	3000   4000   6000
<b>Light Colour</b>	Warm Light   Cool White   Daylight
<b>CRI Ra</b>	80

401581

Technical Specification

## Electrical Data

<b>Wattage (W)</b>	16
<b>Total Power Consumption (W)</b>	14.8   14.3 14.9
<b>Mains voltage (V)</b>	220 - 240
<b>Lamp power factor</b>	0.75
<b>Electrical protection</b>	Class I
<b>Driver Output (V)</b>	30-45
<b>Driver Output Current (mA)</b>	380
<b>Control Gear Type CC or CV</b>	Constant Current
<b>SVM</b>	0.04
<b>PstLM</b>	0.01
<b>LED Flicker Rate</b>	0.96
<b>Dimmable</b>	No
<b>Driver Brand</b>	Luminaireux
<b>Inrush Current (A)</b>	<20
<b>Glow Wire Test (°C)</b>	850
<b>Nominal Frequency (Hz)</b>	50/60
<b>Max. Luminaire per 10A C Breaker</b>	56
<b>Max. Luminaire per 13A C Breaker</b>	72
<b>Max. Luminaire per 16A C Breaker</b>	89
<b>Max. Luminaire per 20A C Breaker</b>	111
<b>Max. Luminaire per 10A B Breaker</b>	33
<b>Max. Luminaire per 13A B Breaker</b>	43
<b>Max. Luminaire per 16A B Breaker</b>	53
<b>Max. Luminaire per 20A B Breaker</b>	67

## Lifetime Data

<b>Lifespan L70 B50 @25°C (Hrs)</b>	50000
-------------------------------------	-------

401581

Technical Specification

## Physical Data

<b>Housing colour</b>	White RAL 9003
<b>Body material</b>	ABS
<b>Driver Housing</b>	Polycarbonate
<b>IP Rating</b>	66
<b>IK Rating</b>	8
<b>Diffuser Material</b>	Polycarbonate
<b>Diffuser finish</b>	Frosted
<b>Nominal Product Length (mm)</b>	300
<b>Nominal Product Width (mm)</b>	300
<b>Nominal Product Height (mm)</b>	92
<b>Weight (kg)</b>	0.8

## Standards and Approvals

<b>Manufactured In Accordance To</b>	EN 60598-1
<b>CE Mark</b>	Yes
<b>UKCA Mark</b>	Yes
<b>WEEE Symbol</b>	Yes
<b>Certificate Of Conformity</b>	Available on Request
<b>Accredited Members</b>	LIA, ISO9001

## Product Relations



**401589**  
**Hatherton Clip on Full Bezel Black**



**401588**  
**Hatherton Clip on Full Bezel White**

401581

Technical Specification



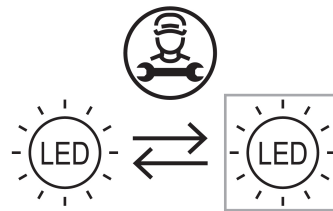
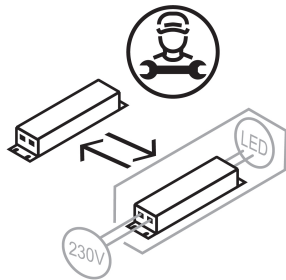
**401592**  
**Hatherton Clip on Eyelid Bezel Black**



**401595**  
**Hatherton Clip on Decorative Bezel Black**



**401598**  
**Hatherton Clip on Grill Bezel Black**



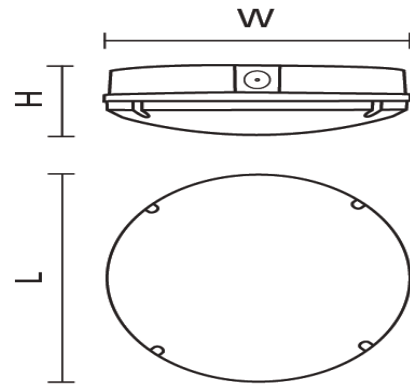


## Amenity

### Hatherton Multi Bulkhead 16W 3CCT Dusk to Dawn - White



• Tough and durable body and polycarbonate diffuser • Wall and ceiling mount • LED lifespan 50,000 hours L70 • Standard, microwave, emergency, dusk to dawn and 3 step dimming options available • IK08 impact rated • Clip-on bezels • 20mm conduit entry



## General Data

<b>Technology</b>	LED
<b>Mounting options</b>	Ceiling Wall
<b>Electrical Connector Type</b>	Push Terminal
<b>Install Options</b>	BESA 20mm knock out
<b>Input Cable</b>	No
<b>Input Electrical Connection</b>	Live   Neutral   Earth
<b>General Application</b>	Residential   Commercial
<b>Operating Temperature Range °C</b>	-20 - +40
<b>Warranty (Years)</b>	5

### Optical Data

<b>LED Manufacturer / Type</b>	MTC Lighting
<b>Fixture Luminous Flux (Lm)</b>	1727   1829   1807
<b>Luminaire Efficacy @3000K (lm/W)</b>	116
<b>Luminaire Efficacy @4000K (lm/W)</b>	128
<b>Luminaire Efficacy @6000K (lm/W)</b>	121
<b>LOR %</b>	100
<b>Colour Selectable</b>	Yes
<b>Beam Angle°</b>	115
<b>Optics</b>	Symetric
<b>Photobiological Risk Group</b>	RG0

### Light Source Data

<b>Energy Class</b>	E
<b>Lm/W</b>	128
<b>Colour Temperature (K)</b>	3000   4000   6000
<b>Light Colour</b>	Warm Light   Cool White   Daylight
<b>CRI Ra</b>	80

## **Electrical Data**

<b>Wattage (W)</b>	16
<b>Total Power Consumption (W)</b>	14.8   14.3 14.9
<b>Mains voltage (V)</b>	220 - 240
<b>Lamp power factor</b>	0.75
<b>Electrical protection</b>	Class I
<b>Driver Output (V)</b>	30-45
<b>Driver Output Current (mA)</b>	380
<b>Control Gear Type CC or CV</b>	Constant Current
<b>SVM</b>	0.04
<b>PstLM</b>	0.01
<b>LED Flicker Rate</b>	0.96
<b>Dimmable</b>	No
<b>Driver Brand</b>	Luminaireux
<b>Inrush Current (A)</b>	<20
<b>Glow Wire Test (°C)</b>	850
<b>Nominal Frequency (Hz)</b>	50/60
<b>Max. Luminaire per 10A C Breaker</b>	56
<b>Max. Luminaire per 13A C Breaker</b>	72
<b>Max. Luminaire per 16A C Breaker</b>	89
<b>Max. Luminaire per 20A C Breaker</b>	111
<b>Max. Luminaire per 10A B Breaker</b>	33
<b>Max. Luminaire per 13A B Breaker</b>	43
<b>Max. Luminaire per 16A B Breaker</b>	53
<b>Max. Luminaire per 20A B Breaker</b>	67

## **Lifetime Data**

<b>Lifespan L70 B50 @25°C (Hrs)</b>	50000
-------------------------------------	-------

401581-DD

Technical Specification

### **Sensor Data**

<b>Sensor Technology</b>	Photocell
<b>Sensor Type</b>	ON/OFF

### **Physical Data**

<b>Housing colour</b>	White RAL 9003
<b>Body material</b>	ABS
<b>Driver Housing</b>	Polycarbonate
<b>IP Rating</b>	66
<b>IK Rating</b>	8
<b>Diffuser Material</b>	Polycarbonate
<b>Diffuser finish</b>	Frosted
<b>Nominal Product Length (mm)</b>	300
<b>Nominal Product Width (mm)</b>	300
<b>Nominal Product Height (mm)</b>	92
<b>Weight (kg)</b>	0.8

### **Standards and Approvals**

<b>Manufactured In Accordance To</b>	EN 60598-1
<b>CE Mark</b>	Yes
<b>UKCA Mark</b>	Yes
<b>WEEE Symbol</b>	Yes
<b>Certificate Of Conformity</b>	Available on Request
<b>Accredited Members</b>	LIA, ISO9001

### Product Relations



**401589**  
**Hatherton Clip on Full Bezel Black**



**401588**  
**Hatherton Clip on Full Bezel White**



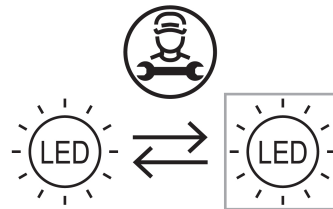
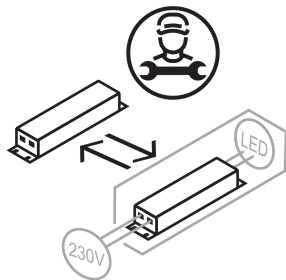
**401592**  
**Hatherton Clip on Eyelid Bezel Black**



**401595**  
**Hatherton Clip on Decorative Bezel Black**



**401598**  
**Hatherton Clip on Grill Bezel Black**

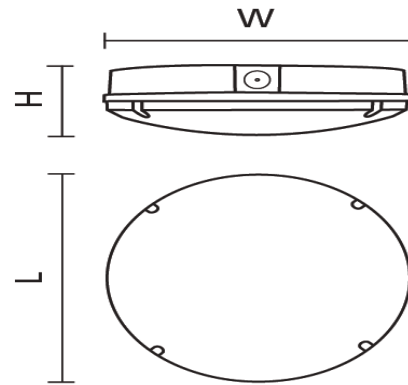


## Amenity

### Hatherton Multi Bulkhead 16W 3CCT Emergency Dusk to Dawn - White



• Tough and durable body and polycarbonate diffuser • Wall and ceiling mount • LED lifespan 50,000 hours L70 • Standard, microwave, emergency, dusk to dawn and 3 step dimming options available • IK08 impact rated • Clip-on bezels • 20mm conduit entry



## General Data

<b>Technology</b>	LED
<b>Mounting options</b>	Ceiling Wall
<b>Electrical Connector Type</b>	Push Terminal
<b>Install Options</b>	BESA 20mm knock out
<b>Input Cable</b>	No
<b>Input Electrical Connection</b>	Live   Neutral   Earth   P Live
<b>General Application</b>	Residential   Commercial
<b>Operating Temperature Range °C</b>	0 + 30
<b>Warranty (Years)</b>	5

401581-M3-DD

Technical Specification

## Optical Data

<b>LED Manufacturer / Type</b>	MTC Lighting
<b>Fixture Luminous Flux (Lm)</b>	1727   1829   1807
<b>Luminaire Efficacy @3000K (lm/W)</b>	116
<b>Luminaire Efficacy @4000K (lm/W)</b>	128
<b>Luminaire Efficacy @6000K (lm/W)</b>	121
<b>LOR %</b>	100
<b>Colour Selectable</b>	Yes
<b>Beam Angle°</b>	115
<b>Optics</b>	Symetric
<b>Photobiological Risk Group</b>	RG0

## Light Source Data

<b>Energy Class</b>	E
<b>Lm/W</b>	128
<b>Colour Temperature (K)</b>	3000   4000   6000
<b>Light Colour</b>	Warm Light   Cool White   Daylight
<b>CRI Ra</b>	80

## Electrical Data

<b>Wattage (W)</b>	16
<b>Total Power Consumption (W)</b>	14.8   14.3 14.9
<b>Mains voltage (V)</b>	220 - 240
<b>Lamp power factor</b>	0.75
<b>Electrical protection</b>	Class I
<b>Driver Output (V)</b>	30-45
<b>Driver Output Current (mA)</b>	380
<b>Control Gear Type CC or CV</b>	Constant Current
<b>SVM</b>	0.04
<b>PstLM</b>	0.01
<b>LED Flicker Rate</b>	0.96
<b>Dimmable</b>	No
<b>Driver Brand</b>	Luminaireux
<b>Inrush Current (A)</b>	<20
<b>Glow Wire Test (°C)</b>	850
<b>Nominal Frequency (Hz)</b>	50/60
<b>Max. Luminaire per 10A C Breaker</b>	56
<b>Max. Luminaire per 13A C Breaker</b>	72
<b>Max. Luminaire per 16A C Breaker</b>	89
<b>Max. Luminaire per 20A C Breaker</b>	111
<b>Max. Luminaire per 10A B Breaker</b>	33
<b>Max. Luminaire per 13A B Breaker</b>	43
<b>Max. Luminaire per 16A B Breaker</b>	53
<b>Max. Luminaire per 20A B Breaker</b>	67

## Lifetime Data

<b>Lifespan L70 B50 @25°C (Hrs)</b>	50000
-------------------------------------	-------



## Emergency Data

<b>Battery Type</b>	LiFeP04
<b>Battery Capacity (mAh)</b>	1600mAh
<b>Battery Warranty (Years)</b>	2
<b>Recharge Time (Hours)</b>	24 Hours
<b>Emergency Type</b>	Maintained
<b>Test Procedure</b>	Manual
<b>Emergency Duration (Hours)</b>	3
<b>Emergency Output</b>	160

## Sensor Data

<b>Sensor Technology</b>	Photocell
<b>Sensor Type</b>	ON/OFF
<b>Daylight Threshold</b>	30Lux

## Physical Data

<b>Housing colour</b>	White RAL 9003
<b>Body material</b>	ABS
<b>Driver Housing</b>	Polycarbonate
<b>IP Rating</b>	66
<b>IK Rating</b>	8
<b>Diffuser Material</b>	Polycarbonate
<b>Diffuser finish</b>	Frosted
<b>Nominal Product Length (mm)</b>	300
<b>Nominal Product Width (mm)</b>	300
<b>Nominal Product Height (mm)</b>	92
<b>Weight (kg)</b>	0.8

## Standards and Approvals

<b>Manufactured In Accordance To</b>	EN 60598-1 EN60598-2-22
<b>CE Mark</b>	Yes
<b>UKCA Mark</b>	Yes
<b>WEEE Symbol</b>	Yes
<b>Certificate Of Conformity</b>	Available on Request
<b>Accredited Members</b>	LIA, ISO9001

## Product Relations



**401589**  
**Hatherton Clip on Full Bezel Black**



**401588**  
**Hatherton Clip on Full Bezel White**



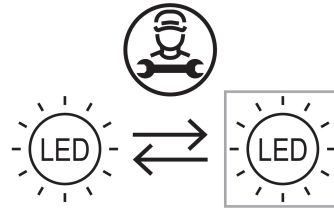
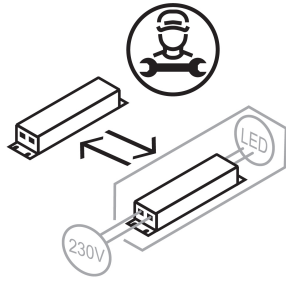
**401592**  
**Hatherton Clip on Eyelid Bezel Black**



**401595**  
**Hatherton Clip on Decorative Bezel Black**



**401598**  
**Hatherton Clip on Grill Bezel Black**

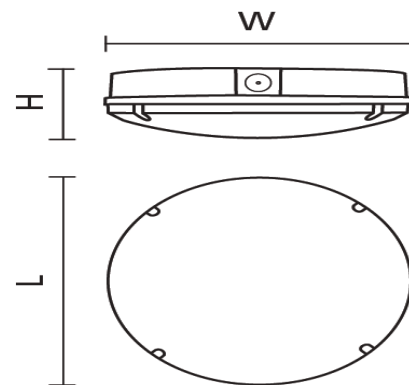


## Amenity

### Hatherton Multi Bulkhead 16W 3CCT Emergency Microwave - White



• Tough and durable body and polycarbonate diffuser • Wall and ceiling mount • LED lifespan 50,000 hours L70 • Standard, microwave, emergency, dusk to dawn and 3 step dimming options available • IK08 impact rated • Clip-on bezels • 20mm conduit entry



## General Data

<b>Technology</b>	LED
<b>Mounting options</b>	Ceiling Wall
<b>Electrical Connector Type</b>	Push Terminal
<b>Install Options</b>	BESA 20mm knock out
<b>Input Cable</b>	No
<b>Input Electrical Connection</b>	Live   Neutral   Earth   P Live
<b>General Application</b>	Residential   Commercial
<b>Operating Temperature Range °C</b>	0 + 30
<b>Warranty (Years)</b>	5

## Optical Data

<b>LED Manufacturer / Type</b>	MTC Lighting
<b>Fixture Luminous Flux (Lm)</b>	1727   1829   1807
<b>Luminaire Efficacy @3000K (lm/W)</b>	116
<b>Luminaire Efficacy @4000K (lm/W)</b>	128
<b>Luminaire Efficacy @6000K (lm/W)</b>	121
<b>LOR %</b>	100
<b>Colour Selectable</b>	Yes
<b>Beam Angle°</b>	115
<b>Optics</b>	Symetric
<b>Photobiological Risk Group</b>	RG0

## Light Source Data

<b>Energy Class</b>	E
<b>Lm/W</b>	128
<b>Colour Temperature (K)</b>	3000   4000   6000
<b>Light Colour</b>	Warm Light   Cool White   Daylight
<b>CRI Ra</b>	80

## **Electrical Data**

<b>Wattage (W)</b>	16
<b>Total Power Consumption (W)</b>	14.8   14.3 14.9
<b>Mains voltage (V)</b>	220 - 240
<b>Lamp power factor</b>	0.75
<b>Electrical protection</b>	Class I
<b>Driver Output (V)</b>	30-45
<b>Driver Output Current (mA)</b>	380
<b>Control Gear Type CC or CV</b>	Constant Current
<b>SVM</b>	0.04
<b>PstLM</b>	0.01
<b>LED Flicker Rate</b>	0.96
<b>Dimmable</b>	No
<b>Driver Brand</b>	Luminaireux
<b>Inrush Current (A)</b>	<20
<b>Glow Wire Test (°C)</b>	850
<b>Nominal Frequency (Hz)</b>	50/60
<b>Max. Luminaire per 10A C Breaker</b>	56
<b>Max. Luminaire per 13A C Breaker</b>	72
<b>Max. Luminaire per 16A C Breaker</b>	89
<b>Max. Luminaire per 20A C Breaker</b>	111
<b>Max. Luminaire per 10A B Breaker</b>	33
<b>Max. Luminaire per 13A B Breaker</b>	43
<b>Max. Luminaire per 16A B Breaker</b>	53
<b>Max. Luminaire per 20A B Breaker</b>	67

## **Lifetime Data**

<b>Lifespan L70 B50 @25°C (Hrs)</b>	50000
-------------------------------------	-------

## Emergency Data

<b>Battery Type</b>	LiFeP04
<b>Battery Capacity (mAh)</b>	1600mAh
<b>Battery Warranty (Years)</b>	2
<b>Recharge Time (Hours)</b>	24 Hours
<b>Emergency Type</b>	Maintained
<b>Test Procedure</b>	Manual
<b>Emergency Duration (Hours)</b>	3
<b>Emergency Output</b>	160

## Sensor Data

<b>Sensor Technology</b>	Microwave
<b>Sensor Type</b>	ON/OFF
<b>Max. Mounting Height (M)</b>	6
<b>Hold Time</b>	5s 30s 90s 5min 20min 30min
<b>Detection area (m)</b>	4-6
<b>Daylight Threshold</b>	5Lux 15Lux   30Lux   Disable
<b>Detection radius (°)</b>	150 (Wall mounted)/360 (Ceiling mounted)

401581-M3-MW

Technical Specification

## Physical Data

Housing colour	White RAL 9003
Body material	ABS
Driver Housing	Polycarbonate
IP Rating	66
IK Rating	8
Diffuser Material	Polycarbonate
Diffuser finish	Frosted
Nominal Product Length (mm)	300
Nominal Product Width (mm)	300
Nominal Product Height (mm)	92
Weight (kg)	0.8

## Standards and Approvals

Manufactured In Accordance To	EN 60598-1 EN60598-2-22
CE Mark	Yes
UKCA Mark	Yes
WEEE Symbol	Yes
Certificate Of Conformity	Available on Request
Accredited Members	LIA, ISO9001

## Product Relations



**401589**  
Hatherton Clip on Full Bezel Black



**401588**  
Hatherton Clip on Full Bezel White





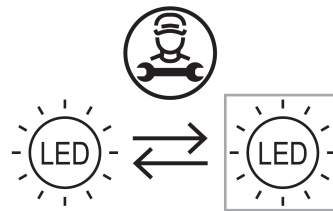
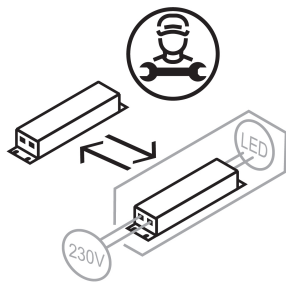
**401592**  
**Hatherton Clip on Eyelid Bezel Black**



**401595**  
**Hatherton Clip on Decorative Bezel Black**



**401598**  
**Hatherton Clip on Grill Bezel Black**

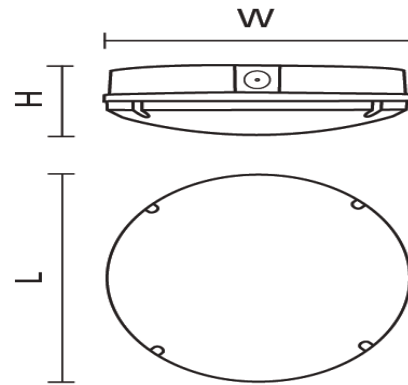


## Amenity

### Hatherton Multi Bulkhead 16W 3CCT Emergency Step Dim - White



• Tough and durable body and polycarbonate diffuser • Wall and ceiling mount • LED lifespan 50,000 hours L70 • Standard, microwave, emergency, dusk to dawn and 3 step dimming options available • IK08 impact rated • Clip-on bezels • 20mm conduit entry



## General Data

<b>Technology</b>	LED
<b>Mounting options</b>	Ceiling Wall
<b>Electrical Connector Type</b>	Push Terminal
<b>Install Options</b>	BESA 20mm knock out
<b>Input Cable</b>	No
<b>Input Electrical Connection</b>	Live   Neutral   Earth   P Live
<b>General Application</b>	Residential   Commercial
<b>Operating Temperature Range °C</b>	0 + 30
<b>Warranty (Years)</b>	5

401581-M3-SD

Technical Specification

## Optical Data

<b>LED Manufacturer / Type</b>	MTC Lighting
<b>Fixture Luminous Flux (Lm)</b>	1727   1829   1807
<b>Luminaire Efficacy @3000K (lm/W)</b>	116
<b>Luminaire Efficacy @4000K (lm/W)</b>	128
<b>Luminaire Efficacy @6000K (lm/W)</b>	121
<b>LOR %</b>	100
<b>Colour Selectable</b>	Yes
<b>Beam Angle°</b>	115
<b>Optics</b>	Symetric
<b>Photobiological Risk Group</b>	RG0

## Light Source Data

<b>Energy Class</b>	E
<b>Lm/W</b>	128
<b>Colour Temperature (K)</b>	3000   4000   6000
<b>Light Colour</b>	Warm Light   Cool White   Daylight
<b>CRI Ra</b>	80

## Electrical Data

<b>Wattage (W)</b>	16
<b>Total Power Consumption (W)</b>	14.8   14.3 14.9
<b>Mains voltage (V)</b>	220 - 240
<b>Lamp power factor</b>	0.75
<b>Electrical protection</b>	Class I
<b>Driver Output (V)</b>	30-45
<b>Driver Output Current (mA)</b>	380
<b>Control Gear Type CC or CV</b>	Constant Current
<b>SVM</b>	0.04
<b>PstLM</b>	0.01
<b>LED Flicker Rate</b>	0.96
<b>Dimmable</b>	Yes
<b>Dimmable Type</b>	Step Dim
<b>Driver Brand</b>	Luminaireux
<b>Inrush Current (A)</b>	<20
<b>Glow Wire Test (°C)</b>	850
<b>Nominal Frequency (Hz)</b>	50/60
<b>Max. Luminaire per 10A C Breaker</b>	56
<b>Max. Luminaire per 13A C Breaker</b>	72
<b>Max. Luminaire per 16A C Breaker</b>	89
<b>Max. Luminaire per 20A C Breaker</b>	111
<b>Max. Luminaire per 10A B Breaker</b>	33
<b>Max. Luminaire per 13A B Breaker</b>	43
<b>Max. Luminaire per 16A B Breaker</b>	53
<b>Max. Luminaire per 20A B Breaker</b>	67

## Lifetime Data

<b>Lifespan L70 B50 @25°C (Hrs)</b>	50000
-------------------------------------	-------

## Emergency Data

<b>Battery Type</b>	LiFeP04
<b>Battery Capacity (mAh)</b>	1600mAh
<b>Battery Warranty (Years)</b>	2
<b>Recharge Time (Hours)</b>	24 Hours
<b>Emergency Type</b>	Maintained
<b>Test Procedure</b>	Manual
<b>Emergency Duration (Hours)</b>	3
<b>Emergency Output</b>	160

## Sensor Data

<b>Sensor Technology</b>	Step Dim
<b>Sensor Type</b>	Step Dim
<b>Max. Mounting Height (M)</b>	6
<b>Hold Time</b>	5s 90s 3min 10min
<b>Detection area (m)</b>	4-6
<b>Daylight Threshold</b>	5Lux 15Lux   30Lux   Disable
<b>Detection radius (°)</b>	150 (Wall mounted)/360 (Ceiling mounted)

401581-M3-SD

Technical Specification

## Physical Data

<b>Housing colour</b>	White RAL 9003
<b>Body material</b>	ABS
<b>Driver Housing</b>	Polycarbonate
<b>IP Rating</b>	66
<b>IK Rating</b>	8
<b>Diffuser Material</b>	Polycarbonate
<b>Diffuser finish</b>	Frosted
<b>Nominal Product Length (mm)</b>	300
<b>Nominal Product Width (mm)</b>	300
<b>Nominal Product Height (mm)</b>	92
<b>Weight (kg)</b>	0.8

## Standards and Approvals

<b>Manufactured In Accordance To</b>	EN 60598-1 EN60598-2-22
<b>CE Mark</b>	Yes
<b>UKCA Mark</b>	Yes
<b>WEEE Symbol</b>	Yes
<b>Certificate Of Conformity</b>	Available on Request
<b>Accredited Members</b>	LIA, ISO9001

## Product Relations



**401589**  
**Hatherton Clip on Full Bezel Black**



**401588**  
**Hatherton Clip on Full Bezel White**



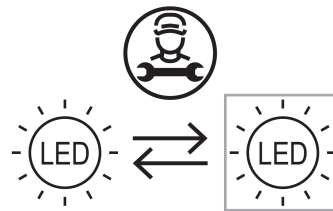
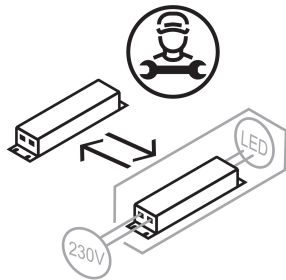
**401592**  
**Hatherton Clip on Eyelid Bezel Black**



**401595**  
**Hatherton Clip on Decorative Bezel Black**



**401598**  
**Hatherton Clip on Grill Bezel Black**

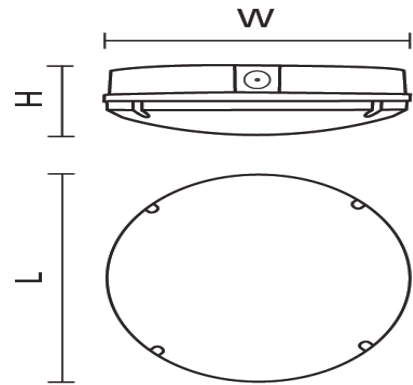


## Amenity

### Hatherton Multi Bulkhead 16W 3CCT Emergency - White



• Tough and durable body and polycarbonate diffuser • Wall and ceiling mount • LED lifespan 50,000 hours L70 • Standard, microwave, emergency, dusk to dawn and 3 step dimming options available • IK08 impact rated • Clip-on bezels • 20mm conduit entry



## General Data

Technology	LED
Mounting options	Ceiling Wall
Electrical Connector Type	Push Terminal
Install Options	BESA 20mm knock out
Input Cable	No
Input Electrical Connection	Live   Neutral   Earth   P Live
General Application	Residential   Commercial
Operating Temperature Range °C	0 + 30
Warranty (Years)	5



401581-M3

Technical Specification

## Optical Data

<b>LED Manufacturer / Type</b>	MTC Lighting
<b>Fixture Luminous Flux (Lm)</b>	1727   1829   1807
<b>Luminaire Efficacy @3000K (lm/W)</b>	116
<b>Luminaire Efficacy @4000K (lm/W)</b>	128
<b>Luminaire Efficacy @6000K (lm/W)</b>	121
<b>LOR %</b>	100
<b>Colour Selectable</b>	Yes
<b>Beam Angle°</b>	115
<b>Optics</b>	Symetric
<b>Photobiological Risk Group</b>	RG0

## Light Source Data

<b>Energy Class</b>	E
<b>Lm/W</b>	128
<b>Colour Temperature (K)</b>	3000   4000   6000
<b>Light Colour</b>	Warm Light   Cool White   Daylight
<b>CRI Ra</b>	80

## Electrical Data

<b>Wattage (W)</b>	16
<b>Total Power Consumption (W)</b>	14.8   14.3 14.9
<b>Mains voltage (V)</b>	220 - 240
<b>Lamp power factor</b>	0.75
<b>Electrical protection</b>	Class I
<b>Driver Output (V)</b>	30-45
<b>Driver Output Current (mA)</b>	380
<b>Control Gear Type CC or CV</b>	Constant Current
<b>SVM</b>	0.04
<b>PstLM</b>	0.01
<b>LED Flicker Rate</b>	0.96
<b>Dimmable</b>	No
<b>Driver Brand</b>	Luminaireux
<b>Inrush Current (A)</b>	<20
<b>Glow Wire Test (°C)</b>	850
<b>Nominal Frequency (Hz)</b>	50/60
<b>Max. Luminaire per 10A C Breaker</b>	56
<b>Max. Luminaire per 13A C Breaker</b>	72
<b>Max. Luminaire per 16A C Breaker</b>	89
<b>Max. Luminaire per 20A C Breaker</b>	111
<b>Max. Luminaire per 10A B Breaker</b>	33
<b>Max. Luminaire per 13A B Breaker</b>	43
<b>Max. Luminaire per 16A B Breaker</b>	53
<b>Max. Luminaire per 20A B Breaker</b>	67

## Lifetime Data

<b>Lifespan L70 B50 @25°C (Hrs)</b>	50000
-------------------------------------	-------

## Emergency Data

<b>Battery Type</b>	LiFeP04
<b>Battery Capacity (mAh)</b>	1600mAh
<b>Battery Warranty (Years)</b>	2
<b>Recharge Time (Hours)</b>	24 Hours
<b>Emergency Type</b>	Maintained
<b>Test Procedure</b>	Manual
<b>Emergency Duration (Hours)</b>	3
<b>Emergency Output</b>	160

## Physical Data

<b>Housing colour</b>	White RAL 9003
<b>Body material</b>	ABS
<b>Driver Housing</b>	Polycarbonate
<b>IP Rating</b>	66
<b>IK Rating</b>	8
<b>Diffuser Material</b>	Polycarbonate
<b>Diffuser finish</b>	Frosted
<b>Nominal Product Length (mm)</b>	300
<b>Nominal Product Width (mm)</b>	300
<b>Nominal Product Height (mm)</b>	92
<b>Weight (kg)</b>	0.8

## Standards and Approvals

<b>Manufactured In Accordance To</b>	EN 60598-1 EN60598-2-22
<b>CE Mark</b>	Yes
<b>UKCA Mark</b>	Yes
<b>WEEE Symbol</b>	Yes
<b>Certificate Of Conformity</b>	Available on Request
<b>Accredited Members</b>	LIA, ISO9001

Product Relations



**401589**  
Hatherton Clip on Full Bezel Black



**401588**  
Hatherton Clip on Full Bezel White



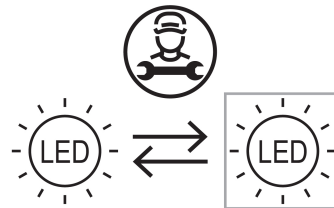
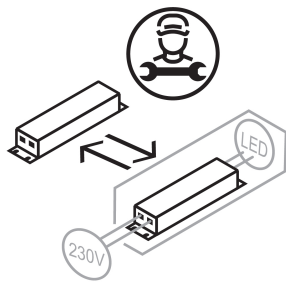
**401592**  
Hatherton Clip on Eyelid Bezel Black



**401595**  
Hatherton Clip on Decorative Bezel Black



**401598**  
Hatherton Clip on Grill Bezel Black

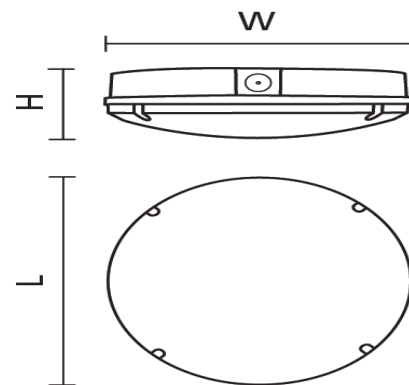


## Amenity

### Hatherton Multi Bulkhead 16W 3CCT Microwave - White



• Tough and durable body and polycarbonate diffuser • Wall and ceiling mount • LED lifespan 50,000 hours L70 • Standard, microwave, emergency, dusk to dawn and 3 step dimming options available • IK08 impact rated • Clip-on bezels • 20mm conduit entry



## General Data

<b>Technology</b>	LED
<b>Mounting options</b>	Ceiling Wall
<b>Electrical Connector Type</b>	Push Terminal
<b>Install Options</b>	BESA 20mm knock out
<b>Input Cable</b>	No
<b>Input Electrical Connection</b>	Live   Neutral   Earth
<b>General Application</b>	Residential   Commercial
<b>Operating Temperature Range °C</b>	-20 - +40
<b>Warranty (Years)</b>	5

401581-MW

Technical Specification

## Optical Data

LED Manufacturer / Type	MTC Lighting
Fixture Luminous Flux (Lm)	1727   1829   1807
Luminaire Efficacy @3000K (lm/W)	116
Luminaire Efficacy @4000K (lm/W)	128
Luminaire Efficacy @6000K (lm/W)	121
LOR %	100
Colour Selectable	Yes
Beam Angle°	115
Optics	Symetric
Photobiological Risk Group	RG0

## Light Source Data

Energy Class	E
Lm/W	128
Colour Temperature (K)	3000   4000   6000
CRI Ra	80

## **Electrical Data**

<b>Wattage (W)</b>	16
<b>Total Power Consumption (W)</b>	14.8   14.3 14.9
<b>Mains voltage (V)</b>	220 - 240
<b>Lamp power factor</b>	0.75
<b>Electrical protection</b>	Class I
<b>Driver Output (V)</b>	30-45
<b>Driver Output Current (mA)</b>	380
<b>Control Gear Type CC or CV</b>	Constant Current
<b>SVM</b>	0.04
<b>PstLM</b>	0.01
<b>LED Flicker Rate</b>	0.96
<b>Dimmable</b>	No
<b>Driver Brand</b>	Luminaireux
<b>Inrush Current (A)</b>	<20
<b>Glow Wire Test (°C)</b>	850
<b>Nominal Frequency (Hz)</b>	50/60
<b>Max. Luminaire per 10A C Breaker</b>	56
<b>Max. Luminaire per 13A C Breaker</b>	72
<b>Max. Luminaire per 16A C Breaker</b>	89
<b>Max. Luminaire per 20A C Breaker</b>	111
<b>Max. Luminaire per 10A B Breaker</b>	33
<b>Max. Luminaire per 13A B Breaker</b>	43
<b>Max. Luminaire per 16A B Breaker</b>	53
<b>Max. Luminaire per 20A B Breaker</b>	67

## **Lifetime Data**

<b>Lifespan L70 B50 @25°C (Hrs)</b>	50000
-------------------------------------	-------

401581-MW

Technical Specification

## Sensor Data

<b>Sensor Technology</b>	Microwave
<b>Sensor Type</b>	ON/OFF
<b>Max. Mounting Height (M)</b>	6
<b>Hold Time</b>	5s 30s 90s 5min 20min 30min
<b>Detection area (m)</b>	4-6
<b>Daylight Threshold</b>	5Lux 15Lux   30Lux   Disable
<b>Detection radius (°)</b>	150 (Wall mounted)/360 (Ceiling mounted)

## Physical Data

<b>Housing colour</b>	White RAL 9003
<b>Body material</b>	ABS
<b>Driver Housing</b>	Polycarbonate
<b>IP Rating</b>	66
<b>IK Rating</b>	8
<b>Diffuser Material</b>	Polycarbonate
<b>Diffuser finish</b>	Frosted
<b>Nominal Product Length (mm)</b>	300
<b>Nominal Product Width (mm)</b>	300
<b>Nominal Product Height (mm)</b>	92
<b>Weight (kg)</b>	0.8

## Standards and Approvals

<b>Manufactured In Accordance To</b>	EN 60598-1
<b>CE Mark</b>	Yes
<b>UKCA Mark</b>	Yes
<b>WEEE Symbol</b>	Yes
<b>Certificate Of Conformity</b>	Available on Request
<b>Accredited Members</b>	LIA, ISO9001

## Product Relations





**401589**  
Hatherton Clip on Full Bezel Black



**401588**  
Hatherton Clip on Full Bezel White



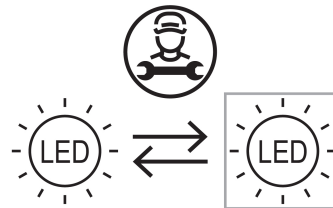
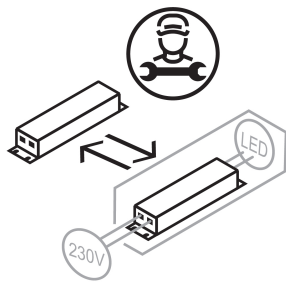
**401592**  
Hatherton Clip on Eyelid Bezel Black



**401595**  
Hatherton Clip on Decorative Bezel Black



**401598**  
Hatherton Clip on Grill Bezel Black

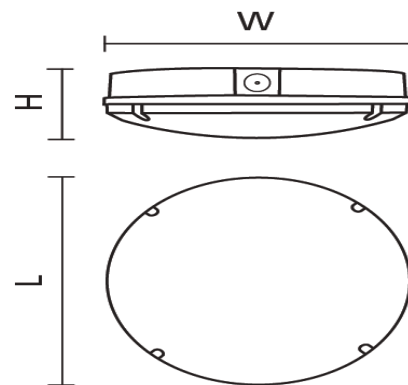


## Amenity

### Hatherton Multi Bulkhead 16W 3CCT Step Dim - White



• Tough and durable body and polycarbonate diffuser • Wall and ceiling mount • LED lifespan 50,000 hours L70 • Standard, microwave, emergency, dusk to dawn and 3 step dimming options available • IK08 impact rated • Clip-on bezels • 20mm conduit entry



## General Data

Technology	LED
Mounting options	Ceiling Wall
Electrical Connector Type	Push Terminal
Install Options	BESA 20mm knock out
Input Cable	No
Input Electrical Connection	Live   Neutral   Earth
General Application	Residential   Commercial
Operating Temperature Range °C	-20 - +40
Warranty (Years)	5

401581-SD

Technical Specification

## Optical Data

<b>LED Manufacturer / Type</b>	MTC Lighting
<b>Fixture Luminous Flux (Lm)</b>	1727   1829   1807
<b>Luminaire Efficacy @3000K (lm/W)</b>	116
<b>Luminaire Efficacy @4000K (lm/W)</b>	128
<b>Luminaire Efficacy @6000K (lm/W)</b>	121
<b>LOR %</b>	100
<b>Colour Selectable</b>	Yes
<b>Beam Angle°</b>	115
<b>Optics</b>	Symetric
<b>Photobiological Risk Group</b>	RG0

## Light Source Data

<b>Energy Class</b>	E
<b>Lm/W</b>	128
<b>Colour Temperature (K)</b>	3000   4000   6000
<b>Light Colour</b>	Warm Light   Cool White   Daylight
<b>CRI Ra</b>	80

## Electrical Data

<b>Wattage (W)</b>	16
<b>Total Power Consumption (W)</b>	14.8   14.3 14.9
<b>Mains voltage (V)</b>	220 - 240
<b>Lamp power factor</b>	0.75
<b>Electrical protection</b>	Class I
<b>Driver Output (V)</b>	30-45
<b>Driver Output Current (mA)</b>	380
<b>Control Gear Type CC or CV</b>	Constant Current
<b>SVM</b>	0.04
<b>PstLM</b>	0.01
<b>LED Flicker Rate</b>	0.96
<b>Dimmable</b>	Yes
<b>Dimmable Type</b>	Step Dim
<b>Driver Brand</b>	Luminaireux
<b>Inrush Current (A)</b>	<20
<b>Glow Wire Test (°C)</b>	850
<b>Nominal Frequency (Hz)</b>	50/60
<b>Max. Luminaire per 10A C Breaker</b>	56
<b>Max. Luminaire per 13A C Breaker</b>	72
<b>Max. Luminaire per 16A C Breaker</b>	89
<b>Max. Luminaire per 20A C Breaker</b>	111
<b>Max. Luminaire per 10A B Breaker</b>	33
<b>Max. Luminaire per 13A B Breaker</b>	43
<b>Max. Luminaire per 16A B Breaker</b>	53
<b>Max. Luminaire per 20A B Breaker</b>	67

## Lifetime Data

<b>Lifespan L70 B50 @25°C (Hrs)</b>	50000
-------------------------------------	-------

## Sensor Data

<b>Sensor Technology</b>	Step Dim
<b>Sensor Type</b>	Step Dim
<b>Max. Mounting Height (M)</b>	6
<b>Hold Time</b>	5s 90s 3min 10min
<b>Detection area (m)</b>	4-6
<b>Daylight Threshold</b>	5Lux 15Lux   30Lux   Disable
<b>Detection radius (°)</b>	150 (Wall mounted)/360 (Ceiling mounted)

## Physical Data

<b>Housing colour</b>	White RAL 9003
<b>Body material</b>	ABS
<b>Driver Housing</b>	Polycarbonate
<b>IP Rating</b>	66
<b>IK Rating</b>	8
<b>Diffuser Material</b>	Polycarbonate
<b>Diffuser finish</b>	Frosted
<b>Nominal Product Length (mm)</b>	300
<b>Nominal Product Width (mm)</b>	300
<b>Nominal Product Height (mm)</b>	92
<b>Weight (kg)</b>	0.8

## Standards and Approvals

<b>Manufactured In Accordance To</b>	EN 60598-1
<b>CE Mark</b>	Yes
<b>UKCA Mark</b>	Yes
<b>WEEE Symbol</b>	Yes
<b>Certificate Of Conformity</b>	Available on Request
<b>Accredited Members</b>	LIA, ISO9001

## Product Relations



**401589**  
**Hatherton Clip on Full Bezel Black**



**401588**  
**Hatherton Clip on Full Bezel White**



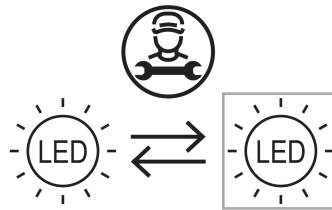
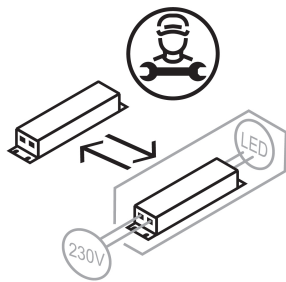
**401592**  
**Hatherton Clip on Eyelid Bezel Black**



**401595**  
**Hatherton Clip on Decorative Bezel Black**



**401598**  
**Hatherton Clip on Grill Bezel Black**

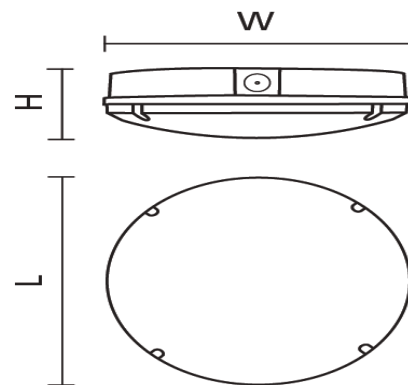


## Amenity

### Hatherton Multi Bulkhead 20W 3CCT - White



• Tough and durable body and polycarbonate diffuser • Wall and ceiling mount • LED lifespan 50,000 hours L70 • Standard, microwave, emergency, dusk to dawn and 3 step dimming options available • IK08 impact rated • Clip-on bezels • 20mm conduit entry



## General Data

Technology	LED
Mounting options	Ceiling Wall
Electrical Connector Type	Push Terminal
Install Options	BESA 20mm knock out
Input Cable	No
Input Electrical Connection	Live   Neutral   Earth
General Application	Residential   Commercial
Operating Temperature Range °C	-20 - +40
Warranty (Years)	5

401582

Technical Specification

## Optical Data

<b>LED Manufacturer / Type</b>	MTC Lighting
<b>Fixture Luminous Flux (Lm)</b>	2153   2312   2280
<b>Luminaire Efficacy @3000K (lm/W)</b>	116
<b>Luminaire Efficacy @4000K (lm/W)</b>	127
<b>Luminaire Efficacy @6000K (lm/W)</b>	121
<b>LOR %</b>	100
<b>Colour Selectable</b>	Yes
<b>Beam Angle°</b>	115
<b>Optics</b>	Symetric
<b>Photobiological Risk Group</b>	RG0

## Light Source Data

<b>Energy Class</b>	E
<b>Lm/W</b>	127
<b>Colour Temperature (K)</b>	3000   4000   6000
<b>Light Colour</b>	Warm Light   Cool White   Daylight
<b>CRI Ra</b>	80



401582

Technical Specification

## Electrical Data

<b>Wattage (W)</b>	20
<b>Total Power Consumption (W)</b>	18.8   18.2   18.9
<b>Mains voltage (V)</b>	220 - 240
<b>Lamp power factor</b>	0.8
<b>Electrical protection</b>	Class I
<b>Driver Output (V)</b>	30-45
<b>Driver Output Current (mA)</b>	380
<b>Control Gear Type CC or CV</b>	Constant Current
<b>SVM</b>	0.02
<b>PstLM</b>	0.02
<b>LED Flicker Rate</b>	0.47
<b>Dimmable</b>	No
<b>Driver Brand</b>	Luminaireux
<b>Inrush Current (A)</b>	<20
<b>Glow Wire Test (°C)</b>	850
<b>Nominal Frequency (Hz)</b>	50/60
<b>Max. Luminaire per 10A C Breaker</b>	56
<b>Max. Luminaire per 13A C Breaker</b>	72
<b>Max. Luminaire per 16A C Breaker</b>	89
<b>Max. Luminaire per 20A C Breaker</b>	111
<b>Max. Luminaire per 10A B Breaker</b>	33
<b>Max. Luminaire per 13A B Breaker</b>	43
<b>Max. Luminaire per 16A B Breaker</b>	53
<b>Max. Luminaire per 20A B Breaker</b>	67

## Lifetime Data

<b>Lifespan L70 B50 @25°C (Hrs)</b>	50000
-------------------------------------	-------

401582

Technical Specification

## Physical Data

<b>Housing colour</b>	White RAL 9003
<b>Body material</b>	ABS
<b>Driver Housing</b>	Polycarbonate
<b>IP Rating</b>	66
<b>IK Rating</b>	8
<b>Diffuser Material</b>	Polycarbonate
<b>Diffuser finish</b>	Frosted
<b>Nominal Product Length (mm)</b>	300
<b>Nominal Product Width (mm)</b>	300
<b>Nominal Product Height (mm)</b>	92
<b>Weight (kg)</b>	0.8

## Standards and Approvals

<b>Manufactured In Accordance To</b>	EN 60598-1
<b>CE Mark</b>	Yes
<b>UKCA Mark</b>	Yes
<b>WEEE Symbol</b>	Yes
<b>Certificate Of Conformity</b>	Available on Request
<b>Accredited Members</b>	LIA, ISO9001

## Product Relations



**401588**  
**Hatherton Clip on Full Bezel White**



**401589**  
**Hatherton Clip on Full Bezel Black**

401582

Technical Specification



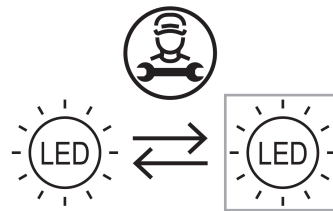
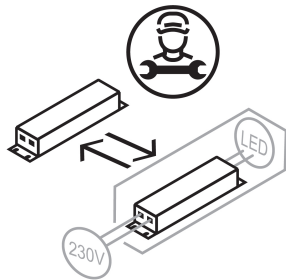
**401592**  
**Hatherton Clip on Eyelid Bezel Black**



**401595**  
**Hatherton Clip on Decorative Bezel Black**



**401598**  
**Hatherton Clip on Grill Bezel Black**

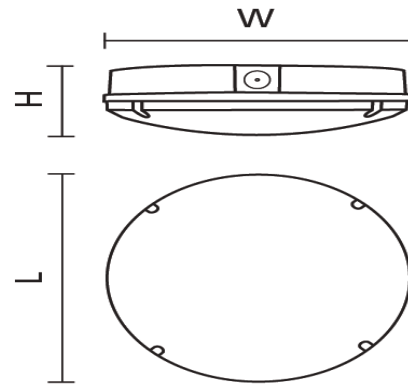


## Amenity

### Hatherton Multi Bulkhead 20W 3CCT Dusk to Dawn - White



• Tough and durable body and polycarbonate diffuser • Wall and ceiling mount • LED lifespan 50,000 hours L70 • Standard, microwave, emergency, dusk to dawn and 3 step dimming options available • IK08 impact rated • Clip-on bezels • 20mm conduit entry



## General Data

<b>Technology</b>	LED
<b>Mounting options</b>	Ceiling Wall
<b>Electrical Connector Type</b>	Push Terminal
<b>Install Options</b>	BESA 20mm knock out
<b>Input Cable</b>	No
<b>Input Electrical Connection</b>	Live   Neutral   Earth
<b>General Application</b>	Residential   Commercial
<b>Operating Temperature Range °C</b>	-20 - +40
<b>Warranty (Years)</b>	5

## Optical Data

<b>LED Manufacturer / Type</b>	MTC Lighting
<b>Fixture Luminous Flux (Lm)</b>	2153   2312   2280
<b>Luminaire Efficacy @3000K (lm/W)</b>	116
<b>Luminaire Efficacy @4000K (lm/W)</b>	127
<b>Luminaire Efficacy @6000K (lm/W)</b>	121
<b>LOR %</b>	100
<b>Colour Selectable</b>	Yes
<b>Beam Angle°</b>	115
<b>Optics</b>	Symetric
<b>Photobiological Risk Group</b>	RG0

## Light Source Data

<b>Energy Class</b>	E
<b>Lm/W</b>	127
<b>Colour Temperature (K)</b>	3000   4000   6000
<b>Light Colour</b>	Warm Light   Cool White   Daylight
<b>CRI Ra</b>	80

## Electrical Data

<b>Wattage (W)</b>	20
<b>Total Power Consumption (W)</b>	18.8   18.2   18.9
<b>Mains voltage (V)</b>	220 - 240
<b>Lamp power factor</b>	0.8
<b>Electrical protection</b>	Class I
<b>Driver Output (V)</b>	30-45
<b>Driver Output Current (mA)</b>	380
<b>Control Gear Type CC or CV</b>	Constant Current
<b>SVM</b>	0.02
<b>PstLM</b>	0.02
<b>LED Flicker Rate</b>	0.47
<b>Dimmable</b>	No
<b>Driver Brand</b>	Luminaireux
<b>Inrush Current (A)</b>	<20
<b>Glow Wire Test (°C)</b>	850
<b>Nominal Frequency (Hz)</b>	50/60
<b>Max. Luminaire per 10A C Breaker</b>	56
<b>Max. Luminaire per 13A C Breaker</b>	72
<b>Max. Luminaire per 16A C Breaker</b>	89
<b>Max. Luminaire per 20A C Breaker</b>	111
<b>Max. Luminaire per 10A B Breaker</b>	33
<b>Max. Luminaire per 13A B Breaker</b>	43
<b>Max. Luminaire per 16A B Breaker</b>	53
<b>Max. Luminaire per 20A B Breaker</b>	67

## Lifetime Data

<b>Lifespan L70 B50 @25°C (Hrs)</b>	50000
-------------------------------------	-------

401582-DD

Technical Specification

### **Sensor Data**

<b>Sensor Technology</b>	Photocell
<b>Sensor Type</b>	ON/OFF
<b>Daylight Threshold</b>	30Lux

### **Physical Data**

<b>Housing colour</b>	White RAL 9003
<b>Body material</b>	ABS
<b>Driver Housing</b>	Polycarbonate
<b>IP Rating</b>	66
<b>IK Rating</b>	8
<b>Diffuser Material</b>	Polycarbonate
<b>Diffuser finish</b>	Frosted
<b>Nominal Product Length (mm)</b>	300
<b>Nominal Product Width (mm)</b>	300
<b>Nominal Product Height (mm)</b>	92
<b>Weight (kg)</b>	0.8

### **Standards and Approvals**

<b>Manufactured In Accordance To</b>	EN 60598-1
<b>CE Mark</b>	Yes
<b>UKCA Mark</b>	Yes
<b>WEEE Symbol</b>	Yes
<b>Certificate Of Conformity</b>	Available on Request
<b>Accredited Members</b>	LIA, ISO9001

### **Product Relations**



**401589**  
**Hatherton Clip on Full Bezel Black**



**401588**  
**Hatherton Clip on Full Bezel White**



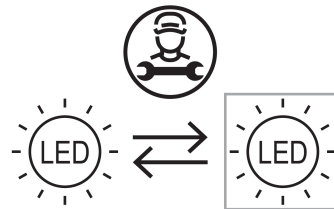
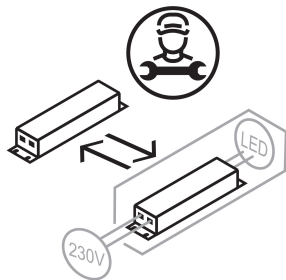
**401592**  
**Hatherton Clip on Eyelid Bezel Black**



**401595**  
**Hatherton Clip on Decorative Bezel Black**



**401598**  
**Hatherton Clip on Grill Bezel Black**



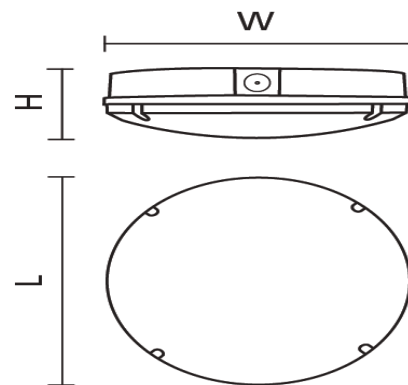


## Amenity

### Hatherton Multi Bulkhead 20W 3CCT Emergency Dusk to Dawn - White



• Tough and durable body and polycarbonate diffuser • Wall and ceiling mount • LED lifespan 50,000 hours L70 • Standard, microwave, emergency, dusk to dawn and 3 step dimming options available • IK08 impact rated • Clip-on bezels • 20mm conduit entry



## General Data

Technology	LED
Mounting options	Ceiling Wall
Electrical Connector Type	Push Terminal
Install Options	BESA 20mm knock out
Input Cable	No
Input Electrical Connection	Live   Neutral   Earth   P Live
General Application	Residential   Commercial
Operating Temperature Range °C	0 + 30
Warranty (Years)	5

## Optical Data

<b>LED Manufacturer / Type</b>	MTC Lighting
<b>Fixture Luminous Flux (Lm)</b>	2153   2312   2280
<b>Luminaire Efficacy @3000K (lm/W)</b>	116
<b>Luminaire Efficacy @4000K (lm/W)</b>	127
<b>Luminaire Efficacy @6000K (lm/W)</b>	121
<b>LOR %</b>	100
<b>Colour Selectable</b>	Yes
<b>Beam Angle°</b>	115
<b>Optics</b>	Symetric
<b>Photobiological Risk Group</b>	RG0

## Light Source Data

<b>Energy Class</b>	E
<b>Lm/W</b>	127
<b>Colour Temperature (K)</b>	3000   4000   6000
<b>Light Colour</b>	Warm Light   Cool White   Daylight
<b>CRI Ra</b>	80

## Electrical Data

<b>Wattage (W)</b>	20
<b>Total Power Consumption (W)</b>	18.8   18.2   18.9
<b>Mains voltage (V)</b>	220 - 240
<b>Lamp power factor</b>	0.8
<b>Electrical protection</b>	Class I
<b>Driver Output (V)</b>	30-45
<b>Driver Output Current (mA)</b>	410
<b>Control Gear Type CC or CV</b>	Constant Current
<b>SVM</b>	0.02
<b>PstLM</b>	0.02
<b>LED Flicker Rate</b>	0.47
<b>Dimmable</b>	No
<b>Driver Brand</b>	Luminaireux
<b>Inrush Current (A)</b>	<20
<b>Glow Wire Test (°C)</b>	850
<b>Nominal Frequency (Hz)</b>	50/60
<b>Max. Luminaire per 10A C Breaker</b>	56
<b>Max. Luminaire per 13A C Breaker</b>	72
<b>Max. Luminaire per 16A C Breaker</b>	89
<b>Max. Luminaire per 20A C Breaker</b>	111
<b>Max. Luminaire per 10A B Breaker</b>	33
<b>Max. Luminaire per 13A B Breaker</b>	43
<b>Max. Luminaire per 16A B Breaker</b>	53
<b>Max. Luminaire per 20A B Breaker</b>	67

## Lifetime Data

<b>Lifespan L70 B50 @25°C (Hrs)</b>	50000
-------------------------------------	-------

## Emergency Data

<b>Battery Type</b>	LiFeP04
<b>Battery Capacity (mAh)</b>	1600mAh
<b>Battery Warranty (Years)</b>	2
<b>Recharge Time (Hours)</b>	24 Hours
<b>Emergency Type</b>	Maintained
<b>Test Procedure</b>	Manual
<b>Emergency Duration (Hours)</b>	3
<b>Emergency Output</b>	160

## Sensor Data

<b>Sensor Technology</b>	Photocell
<b>Sensor Type</b>	ON/OFF
<b>Daylight Threshold</b>	30Lux

## Physical Data

<b>Housing colour</b>	White RAL 9003
<b>Body material</b>	ABS
<b>Driver Housing</b>	Polycarbonate
<b>IP Rating</b>	66
<b>IK Rating</b>	8
<b>Diffuser Material</b>	Polycarbonate
<b>Diffuser finish</b>	Frosted
<b>Nominal Product Length (mm)</b>	300
<b>Nominal Product Width (mm)</b>	300
<b>Nominal Product Height (mm)</b>	92
<b>Weight (kg)</b>	0.8

401582-M3-DD

Technical Specification

## Standards and Approvals

<b>Manufactured In Accordance To</b>	EN 60598-1 EN60598-2-22
<b>CE Mark</b>	Yes
<b>UKCA Mark</b>	Yes
<b>WEEE Symbol</b>	Yes
<b>Certificate Of Conformity</b>	Available on Request
<b>Accredited Members</b>	LIA, ISO9001

## Product Relations



**401589**  
Hatherton Clip on Full Bezel Black



**401588**  
Hatherton Clip on Full Bezel White



**401592**  
Hatherton Clip on Eyelid Bezel Black



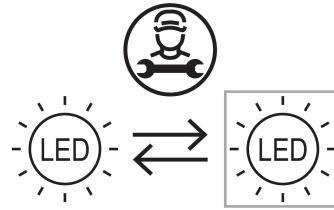
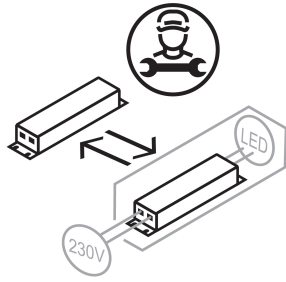
**401595**  
Hatherton Clip on Decorative Bezel Black



**401598**  
Hatherton Clip on Grill Bezel Black

401582-M3-DD

Technical Specification

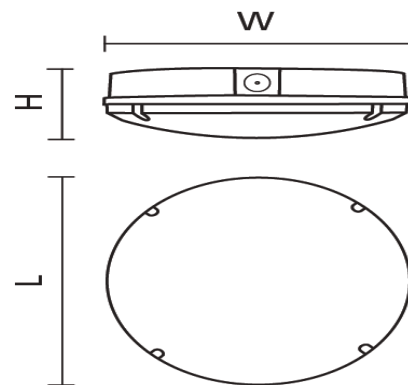


## Amenity

### Hatherton Multi Bulkhead 20W 3CCT Emergency Microwave - White



• Tough and durable body and polycarbonate diffuser • Wall and ceiling mount • LED lifespan 50,000 hours L70 • Standard, microwave, emergency, dusk to dawn and 3 step dimming options available • IK08 impact rated • Clip-on bezels • 20mm conduit entry



## General Data

<b>Technology</b>	LED
<b>Mounting options</b>	Ceiling Wall
<b>Electrical Connector Type</b>	Push Terminal
<b>Install Options</b>	BESA 20mm knock out
<b>Input Cable</b>	No
<b>Input Electrical Connection</b>	Live   Neutral   Earth   P Live
<b>General Application</b>	Residential   Commercial
<b>Operating Temperature Range °C</b>	0 + 30
<b>Warranty (Years)</b>	5

## Optical Data

LED Manufacturer / Type	MTC Lighting
Fixture Luminous Flux (Lm)	2153   2312   2280
Luminaire Efficacy @3000K (lm/W)	116
Luminaire Efficacy @4000K (lm/W)	127
Luminaire Efficacy @6000K (lm/W)	121
LOR %	100
Colour Selectable	Yes
Beam Angle°	115
Optics	Symetric
Photobiological Risk Group	RG0

## Light Source Data

Energy Class	E
Lm/W	127
Colour Temperature (K)	3000   4000   6000
Light Colour	Warm Light   Cool White   Daylight
CRI Ra	80



## Electrical Data

<b>Wattage (W)</b>	20
<b>Total Power Consumption (W)</b>	18.8   18.2   18.9
<b>Mains voltage (V)</b>	220 - 240
<b>Lamp power factor</b>	0.8
<b>Electrical protection</b>	Class I
<b>Driver Output (V)</b>	30-45
<b>Driver Output Current (mA)</b>	410
<b>Control Gear Type CC or CV</b>	Constant Current
<b>SVM</b>	0.02
<b>PstLM</b>	0.02
<b>LED Flicker Rate</b>	0.47
<b>Dimmable</b>	No
<b>Driver Brand</b>	Luminaireux
<b>Inrush Current (A)</b>	<20
<b>Glow Wire Test (°C)</b>	850
<b>Nominal Frequency (Hz)</b>	50/60
<b>Max. Luminaire per 10A C Breaker</b>	56
<b>Max. Luminaire per 13A C Breaker</b>	72
<b>Max. Luminaire per 16A C Breaker</b>	89
<b>Max. Luminaire per 20A C Breaker</b>	111
<b>Max. Luminaire per 10A B Breaker</b>	33
<b>Max. Luminaire per 13A B Breaker</b>	43
<b>Max. Luminaire per 16A B Breaker</b>	53
<b>Max. Luminaire per 20A B Breaker</b>	67

## Lifetime Data

<b>Lifespan L70 B50 @25°C (Hrs)</b>	50000
-------------------------------------	-------

## Emergency Data

<b>Battery Type</b>	LiFeP04
<b>Battery Capacity (mAh)</b>	1500mAh
<b>Battery Warranty (Years)</b>	2
<b>Recharge Time (Hours)</b>	24 Hours
<b>Emergency Type</b>	Maintained
<b>Test Procedure</b>	Manual
<b>Emergency Duration (Hours)</b>	3
<b>Emergency Output</b>	160

## Sensor Data

<b>Sensor Technology</b>	Microwave
<b>Sensor Type</b>	ON/OFF
<b>Max. Mounting Height (M)</b>	6
<b>Hold Time</b>	5s 30s 90s 5min 20min 30min
<b>Detection area (m)</b>	4-6
<b>Daylight Threshold</b>	2Lux 10Lux   25Lux   50Lux   Disable
<b>Detection radius (°)</b>	150 (Wall mounted)/360 (Ceiling mounted)

401582-M3-MW

Technical Specification

## Physical Data

Housing colour	White RAL 9003
Body material	ABS
Driver Housing	Polycarbonate
IP Rating	66
IK Rating	8
Diffuser Material	Polycarbonate
Diffuser finish	Frosted
Nominal Product Length (mm)	300
Nominal Product Width (mm)	300
Nominal Product Height (mm)	92
Weight (kg)	0.8

## Standards and Approvals

Manufactured In Accordance To	EN 60598-1 EN60598-2-22
CE Mark	Yes
UKCA Mark	Yes
WEEE Symbol	Yes
Certificate Of Conformity	Available on Request
Accredited Members	LIA, ISO9001

## Product Relations



**401589**  
Hatherton Clip on Full Bezel Black



**401588**  
Hatherton Clip on Full Bezel White



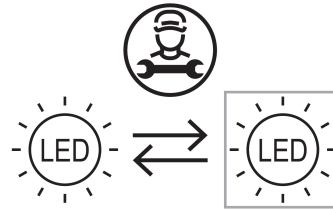
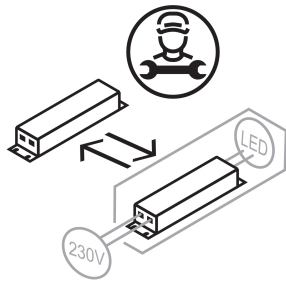
**401592**  
**Hatherton Clip on Eyelid Bezel Black**



**401595**  
**Hatherton Clip on Decorative Bezel Black**



**401598**  
**Hatherton Clip on Grill Bezel Black**

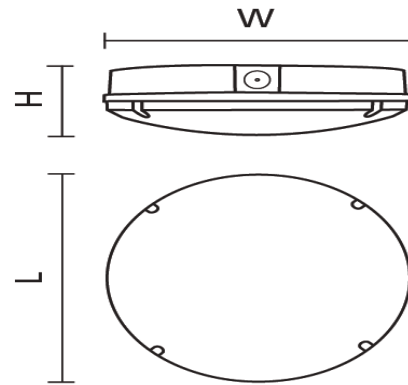


## Amenity

### Hatherton Multi Bulkhead 20W 3CCT Emergency Step Dim - White



• Tough and durable body and polycarbonate diffuser • Wall and ceiling mount • LED lifespan 50,000 hours L70 • Standard, microwave, emergency, dusk to dawn and 3 step dimming options available • IK08 impact rated • Clip-on bezels • 20mm conduit entry



## General Data

Technology	LED
Mounting options	Ceiling Wall
Electrical Connector Type	Push Terminal
Install Options	BESA 20mm knock out
Input Cable	No
Input Electrical Connection	Live   Neutral   Earth   P Live
General Application	Residential   Commercial
Operating Temperature Range °C	0 + 30
Warranty (Years)	5

401582-M3-SD

Technical Specification

## Optical Data

LED Manufacturer / Type	MTC Lighting
Fixture Luminous Flux (Lm)	2153   2312   2280
Luminaire Efficacy @3000K (lm/W)	116
Luminaire Efficacy @4000K (lm/W)	127
Luminaire Efficacy @6000K (lm/W)	121
LOR %	100
Colour Selectable	Yes
Beam Angle°	115
Optics	Symetric
Photobiological Risk Group	RG0

## Light Source Data

Energy Class	E
Lm/W	127
Colour Temperature (K)	3000   4000   6000
Light Colour	Warm Light   Cool White   Daylight
CRI Ra	80

## Electrical Data

<b>Wattage (W)</b>	20
<b>Total Power Consumption (W)</b>	18.8   18.2   18.9
<b>Mains voltage (V)</b>	220 - 240
<b>Lamp power factor</b>	0.8
<b>Electrical protection</b>	Class I
<b>Driver Output (V)</b>	30-45
<b>Driver Output Current (mA)</b>	410
<b>Control Gear Type CC or CV</b>	Constant Current
<b>SVM</b>	0.02
<b>PstLM</b>	0.02
<b>LED Flicker Rate</b>	0.47
<b>Dimmable</b>	Yes
<b>Dimmable Type</b>	Step Dim
<b>Driver Brand</b>	Luminaireux
<b>Inrush Current (A)</b>	<20
<b>Glow Wire Test (°C)</b>	850
<b>Nominal Frequency (Hz)</b>	50/60
<b>Max. Luminaire per 10A C Breaker</b>	56
<b>Max. Luminaire per 13A C Breaker</b>	72
<b>Max. Luminaire per 16A C Breaker</b>	89
<b>Max. Luminaire per 20A C Breaker</b>	111
<b>Max. Luminaire per 10A B Breaker</b>	33
<b>Max. Luminaire per 13A B Breaker</b>	43
<b>Max. Luminaire per 16A B Breaker</b>	53
<b>Max. Luminaire per 20A B Breaker</b>	67

## Lifetime Data

<b>Lifespan L70 B50 @25°C (Hrs)</b>	50000
-------------------------------------	-------

### Emergency Data

<b>Battery Type</b>	LiFeP04
<b>Battery Capacity (mAh)</b>	1600mAh
<b>Battery Warranty (Years)</b>	2
<b>Recharge Time (Hours)</b>	24 Hours
<b>Emergency Type</b>	Maintained
<b>Test Procedure</b>	Manual
<b>Emergency Duration (Hours)</b>	3
<b>Emergency Output</b>	160

### Sensor Data

<b>Sensor Technology</b>	Step Dim
<b>Sensor Type</b>	Step Dim
<b>Max. Mounting Height (M)</b>	6
<b>Hold Time</b>	5s 90s 3min 10min
<b>Detection area (m)</b>	4-6
<b>Daylight Threshold</b>	5Lux 15Lux   30Lux   Disable
<b>Detection radius (°)</b>	150 (Wall mounted)/360 (Ceiling mounted)



401582-M3-SD

Technical Specification

## Physical Data

<b>Housing colour</b>	White RAL 9003
<b>Body material</b>	ABS
<b>Driver Housing</b>	Polycarbonate
<b>IP Rating</b>	66
<b>IK Rating</b>	8
<b>Diffuser Material</b>	Polycarbonate
<b>Diffuser finish</b>	Frosted
<b>Nominal Product Length (mm)</b>	300
<b>Nominal Product Width (mm)</b>	300
<b>Nominal Product Height (mm)</b>	92
<b>Weight (kg)</b>	0.8

## Standards and Approvals

<b>Manufactured In Accordance To</b>	EN 60598-1 EN60598-2-22
<b>CE Mark</b>	Yes
<b>UKCA Mark</b>	Yes
<b>WEEE Symbol</b>	Yes
<b>Certificate Of Conformity</b>	Available on Request
<b>Accredited Members</b>	LIA, ISO9001

## Product Relations



**401589**  
**Hatherton Clip on Full Bezel Black**



**401588**  
**Hatherton Clip on Full Bezel White**



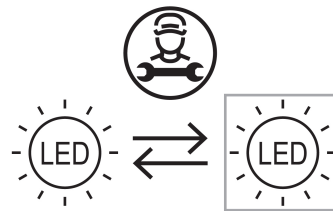
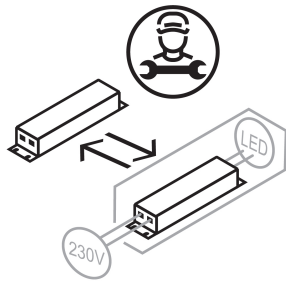
**401592**  
**Hatherton Clip on Eyelid Bezel Black**



**401595**  
**Hatherton Clip on Decorative Bezel Black**



**401598**  
**Hatherton Clip on Grill Bezel Black**

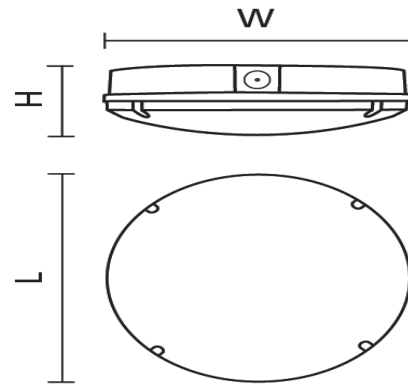


## Amenity

### Hatherton Multi Bulkhead 20W 3CCT Emergency - White



• Tough and durable body and polycarbonate diffuser • Wall and ceiling mount • LED lifespan 50,000 hours L70 • Standard, microwave, emergency, dusk to dawn and 3 step dimming options available • IK08 impact rated • Clip-on bezels • 20mm conduit entry



## General Data

Technology	LED
Mounting options	Ceiling Wall
Electrical Connector Type	Push Terminal
Install Options	BESA 20mm knock out
Input Cable	No
Input Electrical Connection	Live   Neutral   Earth   P Live
General Application	Residential   Commercial
Operating Temperature Range °C	0 + 30
Warranty (Years)	5

## Optical Data

<b>LED Manufacturer / Type</b>	MTC Lighting
<b>Fixture Luminous Flux (Lm)</b>	2153   2312   2280
<b>Luminaire Efficacy @3000K (lm/W)</b>	116
<b>Luminaire Efficacy @4000K (lm/W)</b>	127
<b>Luminaire Efficacy @6000K (lm/W)</b>	121
<b>LOR %</b>	100
<b>Colour Selectable</b>	Yes
<b>Beam Angle°</b>	115
<b>Optics</b>	Symetric
<b>Photobiological Risk Group</b>	RG0

## Light Source Data

<b>Energy Class</b>	E
<b>Lm/W</b>	127
<b>Colour Temperature (K)</b>	3000   4000   6000
<b>Light Colour</b>	Warm Light   Cool White   Daylight
<b>CRI Ra</b>	80

## **Electrical Data**

<b>Wattage (W)</b>	20
<b>Total Power Consumption (W)</b>	18.8   18.2   18.9
<b>Mains voltage (V)</b>	220 - 240
<b>Lamp power factor</b>	0.8
<b>Electrical protection</b>	Class I
<b>Driver Output (V)</b>	30-45
<b>Driver Output Current (mA)</b>	410
<b>Control Gear Type CC or CV</b>	Constant Current
<b>SVM</b>	0.02
<b>PstLM</b>	0.02
<b>LED Flicker Rate</b>	0.47
<b>Dimmable</b>	No
<b>Driver Brand</b>	Luminaireux
<b>Inrush Current (A)</b>	<20
<b>Glow Wire Test (°C)</b>	850
<b>Nominal Frequency (Hz)</b>	50/60
<b>Max. Luminaire per 10A C Breaker</b>	56
<b>Max. Luminaire per 13A C Breaker</b>	72
<b>Max. Luminaire per 16A C Breaker</b>	89
<b>Max. Luminaire per 20A C Breaker</b>	111
<b>Max. Luminaire per 10A B Breaker</b>	33
<b>Max. Luminaire per 13A B Breaker</b>	43
<b>Max. Luminaire per 16A B Breaker</b>	53
<b>Max. Luminaire per 20A B Breaker</b>	67

## **Lifetime Data**

<b>Lifespan L70 B50 @25°C (Hrs)</b>	50000
-------------------------------------	-------

## Emergency Data

<b>Battery Type</b>	LiFeP04
<b>Battery Capacity (mAh)</b>	1600mAh
<b>Battery Warranty (Years)</b>	2
<b>Recharge Time (Hours)</b>	24 Hours
<b>Emergency Type</b>	Maintained
<b>Test Procedure</b>	Manual
<b>Emergency Duration (Hours)</b>	3
<b>Emergency Output</b>	160

## Physical Data

<b>Housing colour</b>	White RAL 9003
<b>Body material</b>	ABS
<b>Driver Housing</b>	Polycarbonate
<b>IP Rating</b>	66
<b>IK Rating</b>	8
<b>Diffuser Material</b>	Polycarbonate
<b>Diffuser finish</b>	Frosted
<b>Nominal Product Length (mm)</b>	300
<b>Nominal Product Width (mm)</b>	300
<b>Nominal Product Height (mm)</b>	92
<b>Weight (kg)</b>	0.8

## Standards and Approvals

<b>Manufactured In Accordance To</b>	EN 60598-1 EN60598-2-22
<b>CE Mark</b>	Yes
<b>UKCA Mark</b>	Yes
<b>WEEE Symbol</b>	Yes
<b>Certificate Of Conformity</b>	Available on Request
<b>Accredited Members</b>	LIA, ISO9001

Product Relations



**401589**  
Hatherton Clip on Full Bezel Black



**401588**  
Hatherton Clip on Full Bezel White



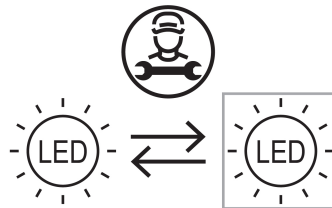
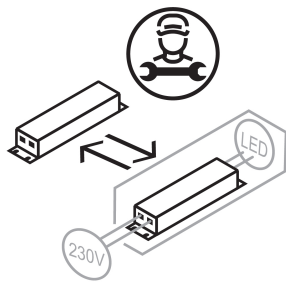
**401592**  
Hatherton Clip on Eyelid Bezel Black



**401595**  
Hatherton Clip on Decorative Bezel Black



**401598**  
Hatherton Clip on Grill Bezel Black

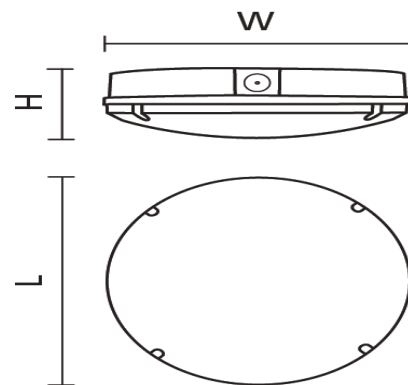


## Amenity

### Hatherton Multi Bulkhead 20W 3CCT Microwave - White



• Tough and durable body and polycarbonate diffuser • Wall and ceiling mount • LED lifespan 50,000 hours L70 • Standard, microwave, emergency, dusk to dawn and 3 step dimming options available • IK08 impact rated • Clip-on bezels • 20mm conduit entry



## General Data

Technology	LED
Mounting options	Ceiling Wall
Electrical Connector Type	Push Terminal
Install Options	BESA 20mm knock out
Input Cable	No
Input Electrical Connection	Live   Neutral   Earth
General Application	Residential   Commercial
Operating Temperature Range °C	-20 - +40
Warranty (Years)	5



401582-MW

Technical Specification

## Optical Data

LED Manufacturer / Type	MTC Lighting
Fixture Luminous Flux (Lm)	2153   2312   2280
Luminaire Efficacy @3000K (lm/W)	116
Luminaire Efficacy @4000K (lm/W)	127
Luminaire Efficacy @6000K (lm/W)	121
LOR %	100
Colour Selectable	Yes
Beam Angle°	115
Optics	Symetric
Photobiological Risk Group	RG0

## Light Source Data

Energy Class	E
Lm/W	127
Colour Temperature (K)	3000   4000   6000
Light Colour	Warm Light   Cool White   Daylight
CRI Ra	80

## **Electrical Data**

<b>Wattage (W)</b>	20
<b>Total Power Consumption (W)</b>	18.8   18.2   18.9
<b>Mains voltage (V)</b>	220 - 240
<b>Lamp power factor</b>	0.8
<b>Electrical protection</b>	Class I
<b>Driver Output (V)</b>	30-45
<b>Driver Output Current (mA)</b>	380
<b>Control Gear Type CC or CV</b>	Constant Current
<b>SVM</b>	0.02
<b>PstLM</b>	0.02
<b>LED Flicker Rate</b>	0.47
<b>Dimmable</b>	No
<b>Driver Brand</b>	Luminaireux
<b>Inrush Current (A)</b>	<20
<b>Glow Wire Test (°C)</b>	850
<b>Nominal Frequency (Hz)</b>	50/60
<b>Max. Luminaire per 10A C Breaker</b>	56
<b>Max. Luminaire per 13A C Breaker</b>	72
<b>Max. Luminaire per 16A C Breaker</b>	89
<b>Max. Luminaire per 20A C Breaker</b>	111
<b>Max. Luminaire per 10A B Breaker</b>	33
<b>Max. Luminaire per 13A B Breaker</b>	43
<b>Max. Luminaire per 16A B Breaker</b>	53
<b>Max. Luminaire per 20A B Breaker</b>	67

## **Lifetime Data**

<b>Lifespan L70 B50 @25°C (Hrs)</b>	50000
-------------------------------------	-------

401582-MW

Technical Specification

## Sensor Data

<b>Sensor Technology</b>	Microwave
<b>Sensor Type</b>	ON/OFF
<b>Max. Mounting Height (M)</b>	6
<b>Hold Time</b>	5s 30s 60s 3min 20min 30min
<b>Detection area (m)</b>	4-6
<b>Daylight Threshold</b>	5Lux 15Lux   30Lux   Disable
<b>Detection radius (°)</b>	150 (Wall mounted)/360 (Ceiling mounted)

## Physical Data

<b>Housing colour</b>	White RAL 9003
<b>Body material</b>	ABS
<b>Driver Housing</b>	Polycarbonate
<b>IP Rating</b>	66
<b>IK Rating</b>	8
<b>Diffuser Material</b>	Polycarbonate
<b>Diffuser finish</b>	Frosted
<b>Nominal Product Length (mm)</b>	300
<b>Nominal Product Width (mm)</b>	300
<b>Nominal Product Height (mm)</b>	92
<b>Weight (kg)</b>	0.8

## Standards and Approvals

<b>Manufactured In Accordance To</b>	EN 60598-1
<b>CE Mark</b>	Yes
<b>UKCA Mark</b>	Yes
<b>WEEE Symbol</b>	Yes
<b>Certificate Of Conformity</b>	Available on Request
<b>Accredited Members</b>	LIA, ISO9001

Product Relations



**401589**  
**Hatherton Clip on Full Bezel Black**



**401588**  
**Hatherton Clip on Full Bezel White**



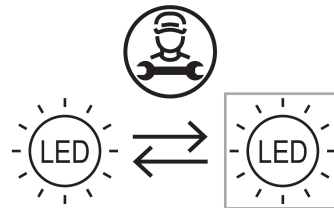
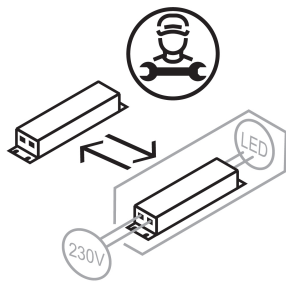
**401592**  
**Hatherton Clip on Eyelid Bezel Black**



**401595**  
**Hatherton Clip on Decorative Bezel Black**



**401598**  
**Hatherton Clip on Grill Bezel Black**

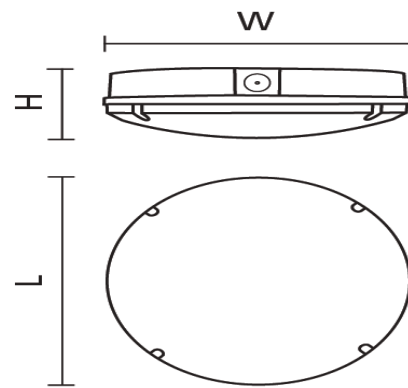


## Amenity

### Hatherton Multi Bulkhead 20W 3CCT Step Dim - White



• Tough and durable body and polycarbonate diffuser • Wall and ceiling mount • LED lifespan 50,000 hours L70 • Standard, microwave, emergency, dusk to dawn and 3 step dimming options available • IK08 impact rated • Clip-on bezels • 20mm conduit entry



## General Data

Technology	LED
Mounting options	Ceiling Wall
Electrical Connector Type	Push Terminal
Install Options	BESA 20mm knock out
Input Cable	No
Input Electrical Connection	Live   Neutral   Earth
General Application	Residential   Commercial
Operating Temperature Range °C	-20 - +40
Warranty (Years)	5

## Optical Data

<b>LED Manufacturer / Type</b>	MTC Lighting
<b>Fixture Luminous Flux (Lm)</b>	2153   2312   2280
<b>Luminaire Efficacy @3000K (lm/W)</b>	116
<b>Luminaire Efficacy @4000K (lm/W)</b>	127
<b>Luminaire Efficacy @6000K (lm/W)</b>	121
<b>LOR %</b>	100
<b>Colour Selectable</b>	Yes
<b>Beam Angle°</b>	115
<b>Optics</b>	Symetric
<b>Photobiological Risk Group</b>	RG0

## Light Source Data

<b>Energy Class</b>	E
<b>Lm/W</b>	127
<b>Colour Temperature (K)</b>	3000   4000   6000
<b>Light Colour</b>	Warm Light   Cool White   Daylight
<b>CRI Ra</b>	80

## Electrical Data

<b>Wattage (W)</b>	20
<b>Total Power Consumption (W)</b>	18.8   18.2   18.9
<b>Mains voltage (V)</b>	220 - 240
<b>Lamp power factor</b>	0.8
<b>Electrical protection</b>	Class I
<b>Driver Output (V)</b>	30-45
<b>Driver Output Current (mA)</b>	380
<b>Control Gear Type CC or CV</b>	Constant Current
<b>SVM</b>	0.02
<b>PstLM</b>	0.02
<b>LED Flicker Rate</b>	0.47
<b>Dimmable</b>	Yes
<b>Dimmable Type</b>	Step Dim
<b>Driver Brand</b>	Luminaireux
<b>Inrush Current (A)</b>	<20
<b>Glow Wire Test (°C)</b>	850
<b>Nominal Frequency (Hz)</b>	50/60
<b>Max. Luminaire per 10A C Breaker</b>	56
<b>Max. Luminaire per 13A C Breaker</b>	72
<b>Max. Luminaire per 16A C Breaker</b>	89
<b>Max. Luminaire per 20A C Breaker</b>	111
<b>Max. Luminaire per 10A B Breaker</b>	33
<b>Max. Luminaire per 13A B Breaker</b>	43
<b>Max. Luminaire per 16A B Breaker</b>	53
<b>Max. Luminaire per 20A B Breaker</b>	67

## Lifetime Data

<b>Lifespan L70 B50 @25°C (Hrs)</b>	50000
-------------------------------------	-------

## Sensor Data

Sensor Technology	Step Dim
Sensor Type	Step Dim
Max. Mounting Height (M)	6
Hold Time	5s 90s 3min 10min
Detection area (m)	4-6
Daylight Threshold	5Lux 15Lux   30Lux   Disable
Detection radius (°)	150 (Wall mounted)/360 (Ceiling mounted)

## Physical Data

Housing colour	White RAL 9003
Body material	ABS
Driver Housing	Polycarbonate
IP Rating	66
IK Rating	8
Diffuser Material	Polycarbonate
Diffuser finish	Frosted
Nominal Product Length (mm)	300
Nominal Product Width (mm)	300
Nominal Product Height (mm)	92
Weight (kg)	0.8

## Standards and Approvals

Manufactured In Accordance To	EN 60598-1
CE Mark	Yes
UKCA Mark	Yes
WEEE Symbol	Yes
Certificate Of Conformity	Available on Request
Accredited Members	LIA, ISO9001

## Product Relations





**401589**  
**Hatherton Clip on Full Bezel Black**



**401588**  
**Hatherton Clip on Full Bezel White**



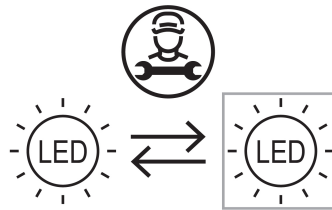
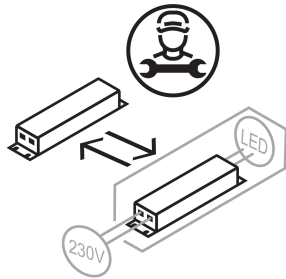
**401592**  
**Hatherton Clip on Eyelid Bezel Black**



**401595**  
**Hatherton Clip on Decorative Bezel Black**



**401598**  
**Hatherton Clip on Grill Bezel Black**



## Amenity

### Hatherton Clip on Full Bezel White

Hatherton Clip on Full Bezel White



#### General Data

Mounting options	Clip On
General Application	Residential   Commercial

#### Electrical Data

Driver Output (V)	60-75
-------------------	-------

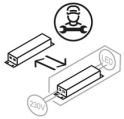
#### Physical Data

Housing colour	White RAL 9003
Body material	ABS
Nominal Product Length (mm)	300
Nominal Product Width (mm)	300
Nominal Product Height (mm)	100
Weight (kg)	0.12

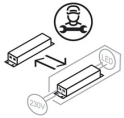
#### Standards and Approvals

CE Mark	Yes
UKCA Mark	Yes
WEEE Symbol	Yes
Certificate Of Conformity	Available on Request
Accredited Members	LIA, ISO9001

Product Relations



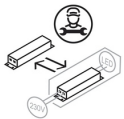
**401580-DD**  
**Hatherton Multi Bulkhead 12W 3CCT Dusk to Dawn - White**



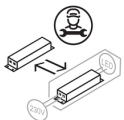
**401580**  
**Hatherton Multi Bulkhead 12W 3CCT - White**



**401580-MW**  
**Hatherton Multi Bulkhead 12W 3CCT Microwave - White**



**401580-SD**  
**Hatherton Multi Bulkhead 12W 3CCT Step Dim - White**



**401581-DD**  
**Hatherton Multi Bulkhead 16W 3CCT Dusk to Dawn - White**



**401581**  
**Hatherton Multi Bulkhead 16W 3CCT - White**



**401581-MW**  
**Hatherton Multi Bulkhead 16W 3CCT Microwave - White**



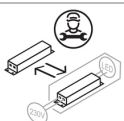
**401581-SD**  
**Hatherton Multi Bulkhead 16W 3CCT Step Dim - White**



**401582-DD**  
**Hatherton Multi Bulkhead 20W 3CCT Dusk to Dawn - White**



**401582**  
**Hatherton Multi Bulkhead 20W 3CCT - White**



**401582-MW**  
**Hatherton Multi Bulkhead 20W 3CCT Microwave - White**

401588

Technical Specification



**401582-SD**  
**Hatherton Multi Bulkhead 20W 3CCT Step Dim - White**

## Amenity

### Hatherton Clip on Full Bezel Black

Hatherton Clip on Full Bezel Black



#### General Data

Mounting options	Clip On
General Application	Residential   Commercial

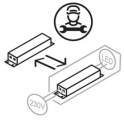
#### Physical Data

Housing colour	Black RAL 9005
Body material	ABS
Nominal Product Length (mm)	300
Nominal Product Width (mm)	300
Nominal Product Height (mm)	100
Weight (kg)	0.12

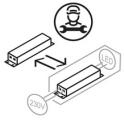
#### Standards and Approvals

CE Mark	Yes
UKCA Mark	Yes
WEEE Symbol	Yes
Certificate Of Conformity	Available on Request
Accredited Members	LIA, ISO9001

#### Product Relations



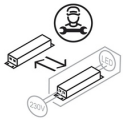
**401580-DD**  
**Hatherton Multi Bulkhead 12W 3CCT Dusk to Dawn - White**



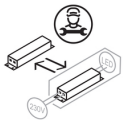
**401580**  
**Hatherton Multi Bulkhead 12W 3CCT - White**



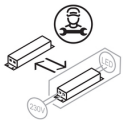
**401580-MW**  
**Hatherton Multi Bulkhead 12W 3CCT Microwave - White**



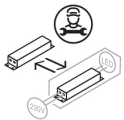
**401580-SD**  
**Hatherton Multi Bulkhead 12W 3CCT Step Dim - White**



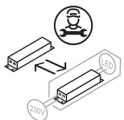
**401581-DD**  
**Hatherton Multi Bulkhead 16W 3CCT Dusk to Dawn - White**



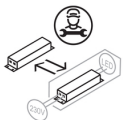
**401581**  
**Hatherton Multi Bulkhead 16W 3CCT - White**



**401581-MW**  
**Hatherton Multi Bulkhead 16W 3CCT Microwave - White**



**401581-SD**  
**Hatherton Multi Bulkhead 16W 3CCT Step Dim - White**



**401582-DD**  
**Hatherton Multi Bulkhead 20W 3CCT Dusk to Dawn - White**



**401582**  
**Hatherton Multi Bulkhead 20W 3CCT - White**



**401582-MW**  
**Hatherton Multi Bulkhead 20W 3CCT Microwave - White**



**401582-SD**  
**Hatherton Multi Bulkhead 20W 3CCT Step Dim - White**

## Amenity

### Hatherton Clip on Eyelid Bezel Black

Hatherton Clip on Eyelid Bezel Black



#### General Data

Mounting options	Clip On
General Application	Residential   Commercial

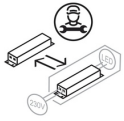
#### Physical Data

Housing colour	Black RAL 9005
Body material	ABS
Nominal Product Length (mm)	300
Nominal Product Width (mm)	300
Nominal Product Height (mm)	100
Weight (kg)	0.12

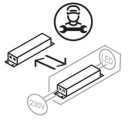
#### Standards and Approvals

CE Mark	Yes
UKCA Mark	Yes
WEEE Symbol	Yes
Certificate Of Conformity	Available on Request
Accredited Members	LIA, ISO9001

#### Product Relations



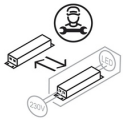
**401580-DD**  
**Hatherton Multi Bulkhead 12W 3CCT Dusk to Dawn - White**



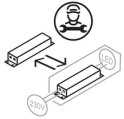
**401580**  
**Hatherton Multi Bulkhead 12W 3CCT - White**



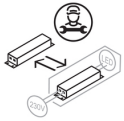
**401580-MW**  
**Hatherton Multi Bulkhead 12W 3CCT Microwave - White**



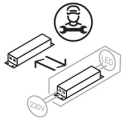
**401580-SD**  
**Hatherton Multi Bulkhead 12W 3CCT Step Dim - White**



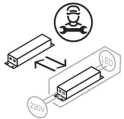
**401581-DD**  
**Hatherton Multi Bulkhead 16W 3CCT Dusk to Dawn - White**



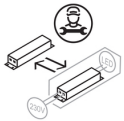
**401581**  
**Hatherton Multi Bulkhead 16W 3CCT - White**



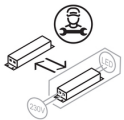
**401581-MW**  
**Hatherton Multi Bulkhead 16W 3CCT Microwave - White**



**401581-SD**  
**Hatherton Multi Bulkhead 16W 3CCT Step Dim - White**



**401582-DD**  
**Hatherton Multi Bulkhead 20W 3CCT Dusk to Dawn - White**



**401582**  
**Hatherton Multi Bulkhead 20W 3CCT - White**



**401582-MW**  
**Hatherton Multi Bulkhead 20W 3CCT Microwave - White**



**401582-SD**  
**Hatherton Multi Bulkhead 20W 3CCT Step Dim - White**



## Amenity

### Hatherton Clip on Decorative Bezel Black

Hatherton Clip on Decorative Bezel Black



#### General Data

Mounting options	Clip On
General Application	Residential   Commercial

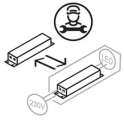
#### Physical Data

Housing colour	Black RAL 9005
Body material	ABS
Nominal Product Length (mm)	300
Nominal Product Width (mm)	300
Nominal Product Height (mm)	100
Weight (kg)	0.12

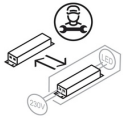
#### Standards and Approvals

CE Mark	Yes
UKCA Mark	Yes
WEEE Symbol	Yes
Certificate Of Conformity	Available on Request
Accredited Members	LIA, ISO9001

#### Product Relations



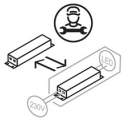
**401580-DD**  
**Hatherton Multi Bulkhead 12W 3CCT Dusk to Dawn - White**



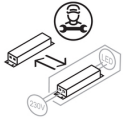
**401580**  
**Hatherton Multi Bulkhead 12W 3CCT - White**



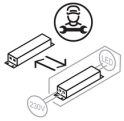
**401580-MW**  
**Hatherton Multi Bulkhead 12W 3CCT Microwave - White**



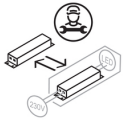
**401580-SD**  
**Hatherton Multi Bulkhead 12W 3CCT Step Dim - White**



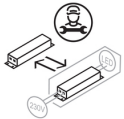
**401581-DD**  
**Hatherton Multi Bulkhead 16W 3CCT Dusk to Dawn - White**



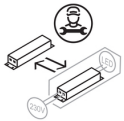
**401581**  
**Hatherton Multi Bulkhead 16W 3CCT - White**



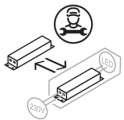
**401581-MW**  
**Hatherton Multi Bulkhead 16W 3CCT Microwave - White**



**401581-SD**  
**Hatherton Multi Bulkhead 16W 3CCT Step Dim - White**



**401582-DD**  
**Hatherton Multi Bulkhead 20W 3CCT Dusk to Dawn - White**



**401582**  
**Hatherton Multi Bulkhead 20W 3CCT - White**



**401582-MW**  
**Hatherton Multi Bulkhead 20W 3CCT Microwave - White**



**401582-SD**  
**Hatherton Multi Bulkhead 20W 3CCT Step Dim - White**

## Amenity

### Hatherton Clip on Grill Bezel Black

Hatherton Clip on Grill Bezel Black



#### General Data

Mounting options	Clip On
General Application	Residential   Commercial

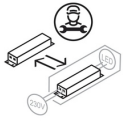
#### Physical Data

Housing colour	Black RAL 9005
Body material	ABS
Nominal Product Length (mm)	300
Nominal Product Width (mm)	300
Nominal Product Height (mm)	100
Weight (kg)	0.12

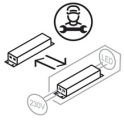
#### Standards and Approvals

CE Mark	Yes
UKCA Mark	Yes
WEEE Symbol	Yes
Certificate Of Conformity	Available on Request
Accredited Members	LIA, ISO9001

#### Product Relations



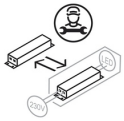
**401580-DD**  
**Hatherton Multi Bulkhead 12W 3CCT Dusk to Dawn - White**



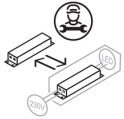
**401580**  
**Hatherton Multi Bulkhead 12W 3CCT - White**



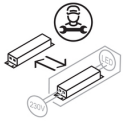
**401580-MW**  
**Hatherton Multi Bulkhead 12W 3CCT Microwave - White**



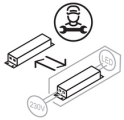
**401580-SD**  
**Hatherton Multi Bulkhead 12W 3CCT Step Dim - White**



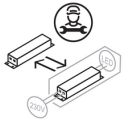
**401581-DD**  
**Hatherton Multi Bulkhead 16W 3CCT Dusk to Dawn - White**



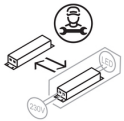
**401581**  
**Hatherton Multi Bulkhead 16W 3CCT - White**



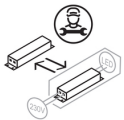
**401581-MW**  
**Hatherton Multi Bulkhead 16W 3CCT Microwave - White**



**401581-SD**  
**Hatherton Multi Bulkhead 16W 3CCT Step Dim - White**



**401582-DD**  
**Hatherton Multi Bulkhead 20W 3CCT Dusk to Dawn - White**



**401582**  
**Hatherton Multi Bulkhead 20W 3CCT - White**



**401582-MW**  
**Hatherton Multi Bulkhead 20W 3CCT Microwave - White**



**401582-SD**  
**Hatherton Multi Bulkhead 20W 3CCT Step Dim - White**